

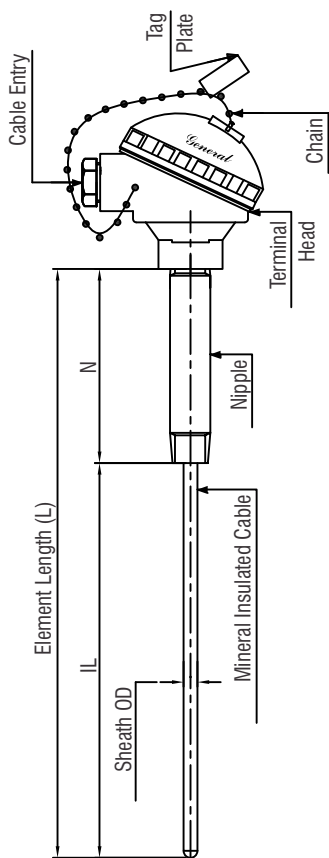
|   | Other Options                                 |
|---|---|
| 0 | None  |
| 1 | Cable Gland (Specify MOC [SS304,SS316,Brass]) |
| 2 | Plug (Specify MOC [Al,SS304,SS316])           |
| 3 | Head Mounted transmitter                      |
| 4 | CE Certification                              |
| 5 | Only Base Plate Suitable for TT               |
| 6 | 6 Pin / 10 Pin Connector                      |
| 7 | Special                                       |
| 8 | 'L' Type Mounting Bracket                     |

## RTD - 101

|                                   |     |                                |
|-----------------------------------|-----|--------------------------------|
| <b>Element</b>                    | 1   | Pt. 100                        |
|                                   | 2   | Pt. 1000                       |
|                                   | XXX | Please Specify                 |
| <b>Element Type</b>               | 1   | Simplex                        |
|                                   | 2   | Duplex                         |
| <b>Wire Configuration</b>         | 2W  | 2-Wire                         |
|                                   | 3W  | 3-Wire                         |
|                                   | 4W  | 4-Wire                         |
| <b>Calibration Standard</b>       | IEC | IEC 751                        |
|                                   | DIN | DIN 43760                      |
| <b>Calibration Class</b>          | A   | Class A                        |
|                                   | B   | Class B                        |
| <b>Sheath 'OD'</b>                | 3   | 3 mm                           |
|                                   | 4.5 | 4.5 mm                         |
|                                   | 6   | 6 mm                           |
|                                   | 8   | 8 mm                           |
|                                   | 10  | 10 mm                          |
|                                   | XXX | Please Specify                 |
| <b>Sheath Material</b>            | S6S | SS316                          |
|                                   | S6L | SS316L                         |
|                                   | XXX | Please Specify                 |
| <b>Terminal Head</b>              | AI  | Die cast Aluminium             |
|                                   | S4S | SS304                          |
|                                   | S6S | SS316                          |
| <b>No. of Cable Entries</b>       | 1   | Single                         |
|                                   | 2   | Double                         |
| <b>Cable Entry (F)</b>            | 15N | 1/2" NPT                       |
|                                   | 20E | 3/4" ET                        |
|                                   | 15M | M20 x 1.5                      |
|                                   | 15B | 1/2" BSP                       |
| <b>Head Type</b>                  | H1  | Weatherproof IP-65             |
|                                   | H2  | Weatherproof IP-67             |
|                                   | H3  | Flameproof, IP-67, Gr IIA, IIB |
|                                   | H4  | Explosionproof, IP-67, Gr IIC  |
|                                   | H5  | ATEX                           |
| <b>Element Length of "L" (mm)</b> |     | Pl. Specify in mm              |

Ordering Example:- RTD101-1-2-3W-IEC-A-6-S6S-AI-2-15N-H1-500-1(SS316)

# RTD 102 - RTD Assembly with Nipple Extension



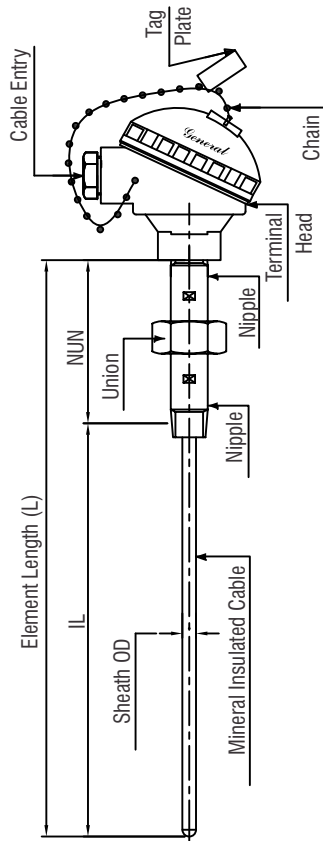
| Other Options |   |
|---------------|---|
| 0             | None  |
| 1             | Cable Gland (Specify MOC [SS304,SS316,Brass]) |
| 2             | Plug (Specify MOC [Al,SS304,SS316])           |
| 3             | Head Mounted transmitter                      |
| 4             | CE Certification                              |
| 5             | Only Base Plate Suitable for TT               |
| 6             | 6 Pin / 10 Pin Connector                      |
| 7             | Special                                       |
| 9             | Thermowell                                    |

## RTD - 102

|                                      |                   |                                |
|--------------------------------------|-------------------|--------------------------------|
| <b>Element</b>                       | 1                 | Pt. 100                        |
|                                      | 2                 | Pt. 1000                       |
|                                      | XXX               | Please Specify                 |
| <b>Element Type</b>                  | 1                 | Simplex                        |
|                                      | 2                 | Duplex                         |
| <b>Wire Configuration</b>            | 2W                | 2-Wire                         |
|                                      | 3W                | 3-Wire                         |
|                                      | 4W                | 4-Wire                         |
| <b>Calibration Standard</b>          | IEC               | IEC 751                        |
|                                      | DIN               | DIN 43760                      |
| <b>Calibration Class</b>             | A                 | Class A                        |
|                                      | B                 | Class B                        |
| <b>Sheath 'OD'</b>                   | 3                 | 3 mm                           |
|                                      | 4.5               | 4.5 mm                         |
|                                      | 6                 | 6 mm                           |
|                                      | 8                 | 8 mm                           |
|                                      | 10                | 10 mm                          |
|                                      | XXX               | Please Specify                 |
| <b>Sheath Material</b>               | S6S               | SS316                          |
|                                      | S6L               | SS316L                         |
|                                      | XXX               | Please Specify                 |
| <b>Terminal Head</b>                 | AI                | Die cast Aluminium             |
|                                      | S4S               | SS304                          |
|                                      | S6S               | SS316                          |
| <b>No. of Cable Entries</b>          | 1                 | Single                         |
|                                      | 2                 | Double                         |
| <b>Cable Entry (F)</b>               | 15N               | 1/2" NPT                       |
|                                      | 20E               | 3/4" ET                        |
|                                      | 15M               | M20 x 1.5                      |
|                                      | 15B               | 1/2" BSP                       |
| <b>Head Type</b>                     | H1                | Weatherproof IP-65             |
|                                      | H2                | Weatherproof IP-67             |
|                                      | H3                | Flameproof, IP-67, Gr IIA, IIB |
|                                      | H4                | Explosionproof, IP-67, Gr IIC  |
|                                      | H5                | ATEX                           |
| <b>Nipple MOC</b>                    | C                 | Cadmium Plated CS              |
|                                      | S4S               | SS304                          |
|                                      | S6S               | SS316                          |
| <b>N Length</b>                      | A                 | 75 mm                          |
|                                      | B                 | 100 mm                         |
|                                      | C                 | 150 mm                         |
|                                      | XXX               | Please Specify                 |
| <b>Connection Fitting</b>            | 15N               | 1/2 " NPT                      |
|                                      | 15B               | 1/2 " BSP                      |
|                                      | XXX               | Please Specify                 |
| <b>Insertion Length of "IL" (mm)</b> | Pl. Specify in mm |                                |

Ordering Example:- RTD102-1-1-3W-IEC-A-6-S6S-AI-2-15N-H2-C-B-15N-400-1(SS316)

# RTD 103 - RTD Assembly with Nipple Union Nipple Extension



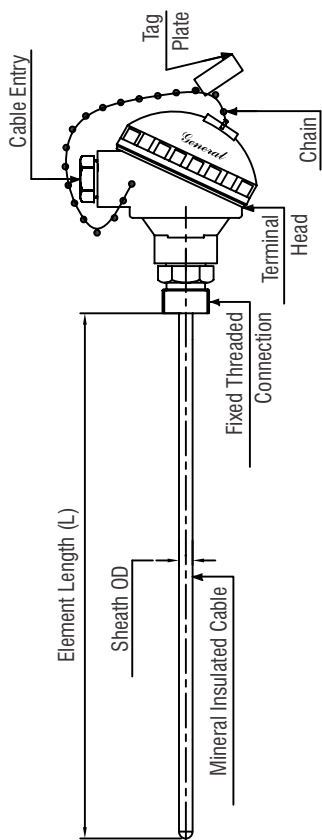
| Other Options |   |
|---------------|---|
| 0             | None  |
| 1             | Cable Gland (Specify MOC [SS304,SS316,Brass]) |
| 2             | Plug (Specify MOC [Al,SS304,SS316])           |
| 3             | Head Mounted transmitter                      |
| 4             | CE Certification                              |
| 5             | Only Base Plate Suitable for TT               |
| 6             | 6 Pin / 10 Pin Connector                      |
| 7             | Special                                       |
| 9             | Thermowell                                    |

## RTD - 103

|                                      |                   |                                |
|--------------------------------------|-------------------|--------------------------------|
| <b>Element</b>                       | 1                 | Pt. 100                        |
|                                      | 2                 | Pt. 1000                       |
|                                      | XXX               | Please Specify                 |
| <b>Element Type</b>                  | 1                 | Simplex                        |
|                                      | 2                 | Duplex                         |
| <b>Wire Configuration</b>            | 2W                | 2-Wire                         |
|                                      | 3W                | 3-Wire                         |
|                                      | 4W                | 4-Wire                         |
| <b>Calibration Standard</b>          | IEC               | IEC 751                        |
|                                      | DIN               | DIN 43760                      |
| <b>Calibration Class</b>             | A                 | Class A                        |
|                                      | B                 | Class B                        |
| <b>Sheath 'OD'</b>                   | 3                 | 3 mm                           |
|                                      | 4.5               | 4.5 mm                         |
|                                      | 6                 | 6 mm                           |
|                                      | 8                 | 8 mm                           |
|                                      | 10                | 10 mm                          |
| XXX                                  | Please Specify    |                                |
| <b>Sheath Material</b>               | S6S               | SS316                          |
|                                      | S6L               | SS316L                         |
|                                      | XXX               | Please Specify                 |
| <b>Terminal Head</b>                 | AI                | Die cast Aluminium             |
|                                      | S4S               | SS304                          |
|                                      | S6S               | SS316                          |
| <b>No. of Cable Entries</b>          | 1                 | Single                         |
|                                      | 2                 | Double                         |
| <b>Cable Entry (F)</b>               | 15N               | 1/2" NPT                       |
|                                      | 20E               | 3/4" ET                        |
|                                      | 15M               | M20 x 1.5                      |
|                                      | 15B               | 1/2" BSP                       |
| <b>Head Type</b>                     | H1                | Weatherproof IP-65             |
|                                      | H2                | Weatherproof IP-67             |
|                                      | H3                | Flameproof, IP-67, Gr IIA, IIB |
|                                      | H4                | Explosionproof, IP-67, Gr IIC  |
|                                      | H5                | ATEX                           |
| <b>NUN MOC</b>                       | C                 | Cadmium Plated CS              |
|                                      | S4S               | SS304                          |
|                                      | S6S               | SS316                          |
| <b>NUN Length</b>                    | B                 | 100 mm                         |
|                                      | C                 | 150 mm                         |
|                                      | XXX               | Please Specify                 |
| <b>Connection Fitting</b>            | 15N               | 1/2" NPT                       |
|                                      | 15B               | 1/2" BSP                       |
|                                      | XXX               | Please Specify                 |
| <b>Insertion Length of "IL" (mm)</b> | Pl. Specify in mm |                                |

Ordering Example:- RTD103-1-1-3W-IEC-A-6-S6S-AI-2-15N-H2-C-B-15N-400-1(SS316)

# RTD 104 - RTD Assembly with Fixed Threaded Connection



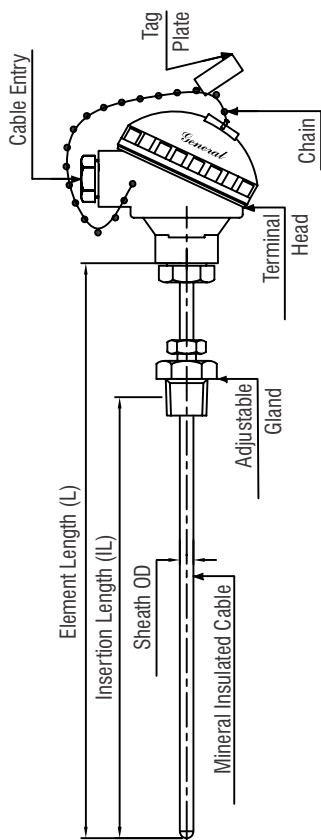
| Other Options |   |
|---------------|---|
| 0             | None  |
| 1             | Cable Gland (Specify MOC [SS304,SS316,Brass]) |
| 2             | Plug (Specify MOC [Al,SS304,SS316])           |
| 3             | Head Mounted transmitter                      |
| 4             | CE Certification                              |
| 5             | Only Base Plate Suitable for TT               |
| 6             | 6 Pin / 10 Pin Connector                      |
| 7             | Special                                       |
| 9             | Thermowell                                    |

## RTD - 104

|                                   |                   |                                |
|-----------------------------------|-------------------|--------------------------------|
| <b>Element</b>                    | 1                 | Pt. 100                        |
|                                   | 2                 | Pt. 1000                       |
|                                   | XXX               | Please Specify                 |
| <b>Element Type</b>               | 1                 | Simplex                        |
|                                   | 2                 | Duplex                         |
| <b>Wire Configuration</b>         | 2W                | 2-Wire                         |
|                                   | 3W                | 3-Wire                         |
|                                   | 4W                | 4-Wire                         |
| <b>Calibration Standard</b>       | IEC               | IEC 751                        |
|                                   | DIN               | DIN 43760                      |
| <b>Calibration Class</b>          | A                 | Class A                        |
|                                   | B                 | Class B                        |
| <b>Sheath 'OD'</b>                | 3                 | 3 mm                           |
|                                   | 4.5               | 4.5 mm                         |
|                                   | 6                 | 6 mm                           |
|                                   | 8                 | 8 mm                           |
|                                   | 10                | 10 mm                          |
|                                   | XXX               | Please Specify                 |
| <b>Sheath Material</b>            | S6S               | SS316                          |
|                                   | S6L               | SS316L                         |
|                                   | XXX               | Please Specify                 |
| <b>Terminal Head</b>              | Al                | Die cast Aluminium             |
|                                   | S4S               | SS304                          |
|                                   | S6S               | SS316                          |
| <b>No. of Cable Entries</b>       | 1                 | Single                         |
|                                   | 2                 | Double                         |
| <b>Cable Entry (F)</b>            | 15N               | 1/2" NPT                       |
|                                   | 20E               | 3/4" ET                        |
|                                   | 15M               | M20 x 1.5                      |
|                                   | 15B               | 1/2" BSP                       |
| <b>Head Type</b>                  | H1                | Weatherproof IP-65             |
|                                   | H2                | Weatherproof IP-67             |
|                                   | H3                | Flameproof, IP-67, Gr IIA, IIB |
|                                   | H4                | Explosionproof, IP-67, Gr IIC  |
|                                   | H5                | ATEX                           |
| <b>Fixed Conn. MOC</b>            | S4S               | SS304                          |
|                                   | S6S               | SS316                          |
| <b>Connection Fitting</b>         | 15N               | 1/2" NPT                       |
|                                   | 15B               | 1/2" BSP                       |
|                                   | XXX               | Please Specify                 |
| <b>Element Length of "L" (mm)</b> | Pl. Specify in mm |                                |

Ordering Example:- RTD104-1-1-3W-IEC-A-6-S6S-Al-2-15N-H2-S6S-15N-400-1(SS316)

# RTD 105 - RTD Assembly with Adjustable Connection



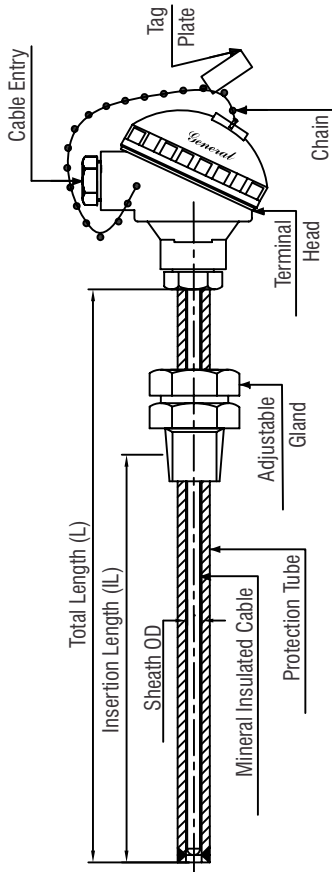
|   | Other Options                           |
|---|---|
| 0 | None                                    |
| 1 | Cable Gland (Specify MOC [S4,S6,Brass]) |
| 2 | Plug (Specify MOC [Al,SS304,SS316])     |
| 3 | Head Mounted transmitter                |
| 4 | CE Certification                        |
| 5 | Only Base Plate Suitable for TT         |
| 6 | 6 Pin / 10 Pin Connector                |
| 7 | Special                                 |
| 8 | 'L' Type Mounting Bracket               |
| 9 | Thermowell                              |

**NOTE: Adjustable Gland Length - 50 mm**  
(L=IL + 50 mm Below Head)

## RTD - 105

|                                      |     |                               |
|--------------------------------------|-----|-------------------------------|
| <b>Element</b>                       | 1   | Pt. 100                       |
|                                      | 2   | Pt. 1000                      |
|                                      | XXX | Please Specify                |
| <b>Element Type</b>                  | 1   | Simplex                       |
|                                      | 2   | Duplex                        |
| <b>Wire Configuration</b>            | 2W  | 2-Wire                        |
|                                      | 3W  | 3-Wire                        |
|                                      | 4W  | 4-Wire                        |
| <b>Calibration Standard</b>          | IEC | IEC 751                       |
|                                      | DIN | DIN 43760                     |
| <b>Calibration Class</b>             | A   | Class A                       |
|                                      | B   | Class B                       |
| <b>Sheath 'OD'</b>                   | 3   | 3 mm                          |
|                                      | 4.5 | 4.5 mm                        |
|                                      | 6   | 6 mm                          |
|                                      | 8   | 8 mm                          |
|                                      | 10  | 10 mm                         |
|                                      | XXX | Please Specify                |
| <b>Sheath Material</b>               | S6S | SS316                         |
|                                      | S6L | SS316L                        |
|                                      | XXX | Please Specify                |
| <b>Terminal Head</b>                 | Al  | Die cast Aluminium            |
|                                      | S4S | SS304                         |
|                                      | S6S | SS316                         |
| <b>No. of Cable Entries</b>          | 1   | Single                        |
|                                      | 2   | Double                        |
| <b>Cable Entry (F)</b>               | 15N | 1/2" NPT                      |
|                                      | 20E | 3/4" ET                       |
|                                      | 15M | M20 x 1.5                     |
|                                      | 15B | 1/2" BSP                      |
| <b>Head Type</b>                     | H1  | Weatherproof IP-65            |
|                                      | H2  | Weatherproof IP-67            |
|                                      | H3  | Flameproof, IP-67 ,Gr IIA,IIB |
|                                      | H4  | Explosionproof, IP-67, Gr IIC |
|                                      | H5  | ATEX                          |
| <b>Adj. Gland MOC</b>                | S4S | SS304                         |
|                                      | S6S | SS316                         |
| <b>Connection Fitting</b>            | 15N | 1/2 " NPT                     |
|                                      | 15B | 1/2 " BSP                     |
|                                      | XXX | Please Specify                |
| <b>Insertion Length of "IL" (mm)</b> |     | Pl. Specify in mm             |

# RTD 106 - RTD with Protecting Tube (Screwed Connection)



|   | Other Options                                 |
|---|---|
| 0 | None  |
| 1 | Cable Gland (Specify MOC [SS304,SS316,Brass]) |
| 2 | Plug (Specify MOC [Al,SS304,SS316])           |
| 3 | Head Mounted transmitter                      |
| 4 | CE Certification                              |
| 5 | Only Base Plate Suitable for TT               |
| 6 | 6 Pin / 10 Pin Connector                      |
| 7 | Special                                       |

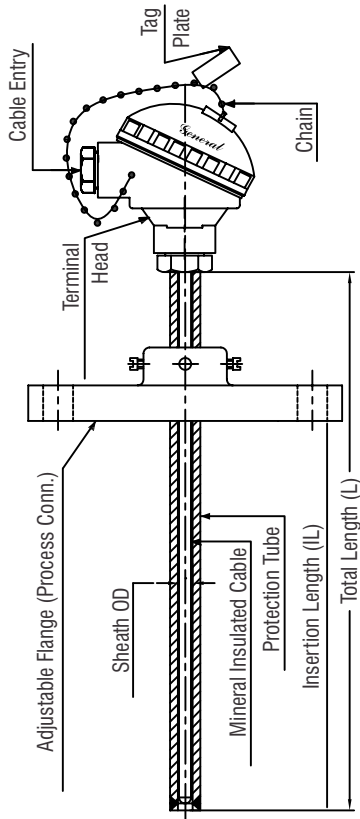
**NOTE: Adjustable Gland Length - 50 mm**  
(L=IL + 50 mm Below Head)

## RTD - 106

|                                      |  |                                |                                |     |                  |  |
|--------------------------------------|--|--------------------------------|--------------------------------|-----|------------------|--|
| <b>Element</b>                       |  | 1                              | Pt. 100                        | 2   | Pt. 1000         |  |
|                                      |  | XXX                            | Please Specify                 |     |                  |  |
| <b>Element Type</b>                  |  | 1                              | Simplex                        | 2   | Duplex           |  |
| <b>Wire Configuration</b>            |  | 2W                             | 2-Wire                         |     |                  |  |
|                                      |  | 3W                             | 3-Wire                         |     |                  |  |
|                                      |  | 4W                             | 4-Wire                         |     |                  |  |
| <b>Calibration Standard</b>          |  | IEC                            | IEC 751                        | DIN | DIN 43760        |  |
| <b>Calibration Class</b>             |  | A                              | Class A                        | B   | Class B          |  |
| <b>Sheath 'OD'</b>                   |  | 3                              | 3 mm                           | 4.5 | 4.5 mm           |  |
|                                      |  | 6                              | 6 mm                           | 8   | 8mm              |  |
|                                      |  | 10                             | 10mm                           |     |                  |  |
|                                      |  | XXX                            | Please Specify                 |     |                  |  |
| <b>Sheath Material</b>               |  | S6S                            | SS316                          | S6L | SS316L           |  |
|                                      |  | XXX                            | Please Specify                 |     |                  |  |
| <b>Terminal Head</b>                 |  | AI                             | Die cast Aluminum              |     |                  |  |
|                                      |  | S4S                            | SS304                          | S6S | SS316            |  |
| <b>No. of Cable Entries</b>          |  | 1                              | Single                         | 2   | Double           |  |
| <b>Cable Entry (F)</b>               |  | 15N                            | 1/2" NPT                       | 20E | 3/4" ET          |  |
|                                      |  | 15M                            | M20 x 1.5                      | 15B | 1/2" BSP         |  |
| <b>Head Type</b>                     |  | H1                             | Weatherproof IP-65             |     |                  |  |
|                                      |  | H2                             | Weatherproof IP-67             |     |                  |  |
|                                      |  | H3                             | Flameproof, IP-67, Gr IIA, IIB |     |                  |  |
|                                      |  | H4                             | Explosionproof, IP-67, Gr IIC  |     |                  |  |
|                                      |  | H5                             | ATEX                           |     |                  |  |
|                                      |  | S4S                            | SS304                          | 825 | Incoloy® 825     |  |
|                                      |  | S6S                            | SS316                          | 600 | Inconel® 600     |  |
|                                      |  | 310                            | SS310                          | 800 | Incoloy® 800     |  |
|                                      |  | 446                            | SS446                          | 321 | SS321            |  |
|                                      |  | S4L                            | SS304L                         | KAN | Kanthal          |  |
|                                      |  | S6L                            | SS316L                         | HCC | Hastelloy® C-276 |  |
|                                      |  | CST                            | CS                             | HCB | Hastelloy® B     |  |
|                                      |  | 410                            | SS410                          | MN4 | Monel® 400       |  |
|                                      |  | S7S                            | SS317                          | MN5 | Monel® 500       |  |
|                                      |  | S7L                            | SS317L                         | T   | Ti-II            |  |
|                                      |  | N200                           | Nickel 200                     | XXX | Please Specify   |  |
|                                      |  |                                | **Special material on Request  |     |                  |  |
|                                      |  | Protection Tube Standard Sizes |                                |     |                  |  |
|                                      |  | A                              | 10x7                           | B   | 12x7             |  |
|                                      |  | C                              | 14x7                           | D   | 14x9             |  |
|                                      |  | XXX                            | Please Specify                 |     |                  |  |
| <b>Protection Tube Material</b>      |  | S4S                            | SS304                          |     |                  |  |
|                                      |  | S6S                            | SS316                          |     |                  |  |
| <b>Protection Tube Size</b>          |  | 15N                            | 1/2" NPT                       |     |                  |  |
|                                      |  | 15B                            | 1/2" BSP                       |     |                  |  |
|                                      |  | XXX                            | Please Specify                 |     |                  |  |
| <b>Adj. Gland MOC</b>                |  | Pl. Specify in mm              |                                |     |                  |  |
| <b>Connection Fitting</b>            |  | Pl. Specify in mm              |                                |     |                  |  |
| <b>Insertion Length of "IL" (mm)</b> |  | Pl. Specify in mm              |                                |     |                  |  |

**Ordering Example:- RTD106-1-1-3W-IEC-A-6-S6S-AI-2-15N-H2-C-A-S6S-15N-400-1(SS316)**

# RTD 107 - RTD with Protecting Tube (Flanged Connection)



| Other Options |   |
|---------------|---|
| 0             | None  |
| 1             | Cable Gland (Specify MOC [SS304,SS316,Brass]) |
| 2             | Plug (Specify MOC [Al,SS304,SS316])           |
| 3             | Head Mounted transmitter                      |
| 4             | CE Certification                              |
| 5             | Only Base Plate Suitable for TT               |
| 6             | 6 Pin / 10 Pin Connector                      |
| 7             | Special                                       |

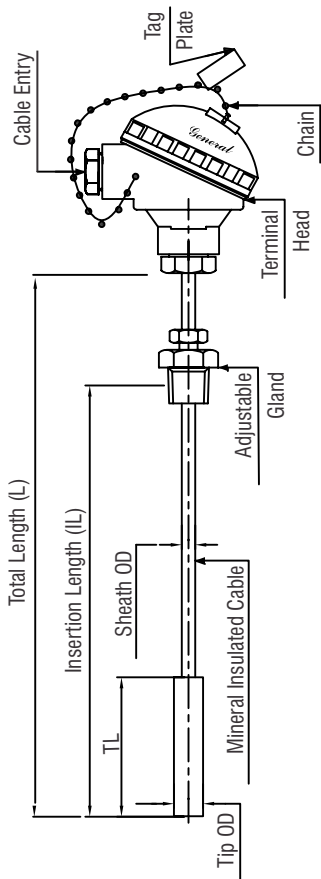
**NOTE: Adjustable Gland Length - 50 mm**  
(L=IL + 50 mm Below Head)

## RTD - 107

|                                      |  |                                |                                |        |                  |     |     |
|--------------------------------------|--|--------------------------------|--------------------------------|--------|------------------|-----|-----|
| <b>Element</b>                       |  | 1                              | Pt. 100                        | 2      | Pt. 1000         |     |     |
|                                      |  | XXX                            | Please Specify                 |        |                  |     |     |
| <b>Element Type</b>                  |  | 1                              | Simplex                        | 2      | Duplex           |     |     |
| <b>Wire Configuration</b>            |  | 2W                             | 2-Wire                         |        |                  |     |     |
|                                      |  | 3W                             | 3-Wire                         |        |                  |     |     |
|                                      |  | 4W                             | 4-Wire                         |        |                  |     |     |
| <b>Calibration Standard</b>          |  | IEC                            | IEC 751                        | DIN    | DIN 43760        |     |     |
| <b>Calibration Class</b>             |  | A                              | Class A                        | B      | Class B          |     |     |
| <b>Sheath 'OD'</b>                   |  | 3                              | 3 mm                           | 4.5    | 4.5 mm           |     |     |
|                                      |  | 6                              | 6 mm                           | 8      | 8mm              |     |     |
|                                      |  | 10                             | 10mm                           |        |                  |     |     |
|                                      |  | XXX                            | Please Specify                 |        |                  |     |     |
| <b>Sheath Material</b>               |  | S6S                            | SS316                          | S6L    | SS316L           |     |     |
|                                      |  | XXX                            | Please Specify                 |        |                  |     |     |
| <b>Terminal Head</b>                 |  | AI                             | Die cast Aluminium             |        |                  |     |     |
|                                      |  | S4S                            | SS304                          | S6S    | SS316            |     |     |
| <b>No. of Cable Entries</b>          |  | 1                              | Single                         | 2      | Double           |     |     |
| <b>Cable Entry (F)</b>               |  | 15N                            | 1/2" NPT                       | 20E    | 3/4" ET          |     |     |
|                                      |  | 15M                            | M20 x 1.5                      | 15B    | 1/2" BSP         |     |     |
| <b>Head Type</b>                     |  | H1                             | Weatherproof IP-65             |        |                  |     |     |
|                                      |  | H2                             | Weatherproof IP-67             |        |                  |     |     |
|                                      |  | H3                             | Flameproof, IP-67, Gr IIA, IIB |        |                  |     |     |
|                                      |  | H4                             | Explosionproof, IP-67, Gr IIC  |        |                  |     |     |
|                                      |  | H5                             | ATEX                           |        |                  |     |     |
|                                      |  | S4S                            | SS304                          | 825    | Incoloy® 825     |     |     |
|                                      |  | S6S                            | SS316                          | 600    | Inconel® 600     |     |     |
|                                      |  | 310                            | SS310                          | 800    | Incoloy® 800     |     |     |
|                                      |  | 446                            | SS446                          | 321    | SS321            |     |     |
|                                      |  | S4L                            | SS304L                         | KAN    | Kanthal          |     |     |
|                                      |  | S6L                            | SS316L                         | HCC    | Hastelloy® C-276 |     |     |
|                                      |  | CST                            | CS                             | HCB    | Hastelloy® B     |     |     |
|                                      |  | 410                            | SS410                          | MN4    | Monel® 400       |     |     |
|                                      |  | S7S                            | SS317                          | MN5    | Monel® 500       |     |     |
|                                      |  | S7L                            | SS317L                         | T      | Ti-II            |     |     |
|                                      |  | N200                           | Nickel 200                     | XXX    | Please Specify   |     |     |
|                                      |  | **Special material on Request  |                                |        |                  |     |     |
| <b>Protection Tube Material</b>      |  | Protection Tube Standard Sizes |                                |        |                  |     |     |
|                                      |  | A                              | 10x7                           | B      | 12x7             |     |     |
|                                      |  | C                              | 14x7                           |        |                  |     |     |
|                                      |  | D                              | 14x9                           | XXX    | Please Specify   |     |     |
| <b>Protection Tube Size</b>          |  | Size                           | Code                           | Rating | Code             |     |     |
|                                      |  | Facing                         | Code                           |        |                  |     |     |
|                                      |  | 1/2"                           | 15                             | 150#   | A                | RF  | RF  |
|                                      |  | 3/4"                           | 20                             | 300#   | B                | FF  | FF  |
|                                      |  | 1"                             | 25                             | 600#   | C                | RTJ | RTJ |
|                                      |  | 1.5"                           | 40                             | 900#   | D                | LT  | LT  |
|                                      |  | 2"                             | 50                             | 1500#  | E                | LG  | LG  |
|                                      |  | 3"                             | 80                             | 2500#  | F                |     |     |
| <b>Process Conn. Fitting</b>         |  | CST                            | CS                             |        |                  |     |     |
|                                      |  | S4S                            | SS304                          | S6S    | SS316            |     |     |
| <b>Flange</b>                        |  | Pl. Specify in mm              |                                |        |                  |     |     |
| <b>Insertion Length of "IL" (mm)</b> |  | Pl. Specify in mm              |                                |        |                  |     |     |

**Ordering Example:- RTD107-1-1-3W-IEC-A-6-S6S-AI-2-15N-H2-S6S-A-15ARF-S6S-400-1(SS316)**

# RTD 108 - RTD Assembly with adjustable Conn. & Tip Assembly



|   | Other Options                                 |
|---|---|
| 0 | None  |
| 1 | Cable Gland (Specify MOC [SS304,SS316,Brass]) |
| 2 | Plug (Specify MOC [Al,SS304,SS316])           |
| 3 | Head Mounted transmitter                      |
| 4 | CE Certification                              |
| 5 | Only Base Plate Suitable for TT               |
| 6 | 6 Pin / 10 Pin Connector                      |
| 7 | Special                                       |
| 8 | 'L' Type Mounting Bracket                     |

**NOTE:** Adjustable Gland Length - 50 mm  
(L=IL + 50 mm Below Head)

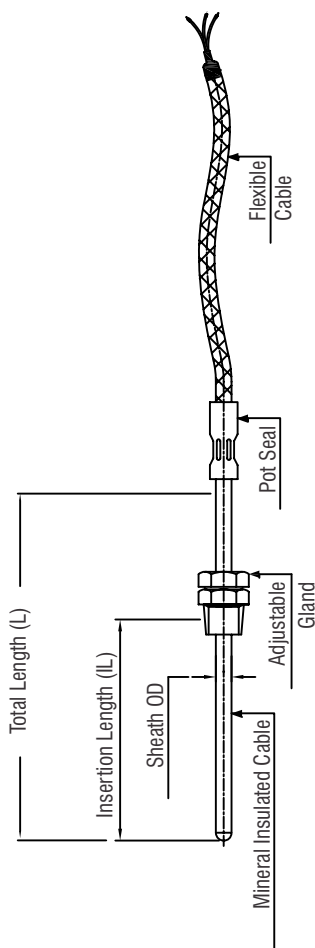
## RTD - 108

|                                      |     |                               |
|--------------------------------------|-----|-------------------------------|
| <b>Element</b>                       | 1   | Pt. 100                       |
|                                      | 2   | Pt. 1000                      |
|                                      | XXX | Please Specify                |
| <b>Element Type</b>                  | 1   | Simplex                       |
|                                      | 2   | Duplex                        |
| <b>Wire Configuration</b>            | 2W  | 2-Wire                        |
|                                      | 3W  | 3-Wire                        |
|                                      | 4W  | 4-Wire                        |
| <b>Calibration Standard</b>          | IEC | IEC 751                       |
|                                      | DIN | DIN 43760                     |
| <b>Calibration Class</b>             | A   | Class A                       |
|                                      | B   | Class B                       |
| <b>Sheath 'OD' (Tip 'OD')</b>        | 3   | 3 mm                          |
|                                      | 4.5 | 4.5 mm                        |
|                                      | 6   | 6 mm                          |
|                                      | 8   | 8 mm                          |
|                                      | 10  | 10 mm                         |
|                                      | XXX | Please Specify                |
| <b>Sheath Material</b>               | S6S | SS316                         |
|                                      | S6L | SS316L                        |
|                                      | XXX | Please Specify                |
| <b>Terminal Head</b>                 | AI  | Die cast Aluminium            |
|                                      | S4S | SS304                         |
|                                      | S6S | SS316                         |
| <b>No. of Cable Entries</b>          | 1   | Single                        |
|                                      | 2   | Double                        |
| <b>Cable Entry (F)</b>               | 15N | 1/2" NPT                      |
|                                      | 20E | 3/4" ET                       |
|                                      | 15M | M20 x 1.5                     |
|                                      | 15B | 1/2" BSP                      |
| <b>Head Type</b>                     | H1  | Weatherproof IP-65            |
|                                      | H2  | Weatherproof IP-67            |
|                                      | H3  | Flameproof, IP-67, Gr IIA,IIB |
|                                      | H4  | Explosionproof, IP-67, Gr IIC |
|                                      | H5  | ATEX                          |
| <b>Adj. Gland MOC</b>                | S4S | SS304                         |
|                                      | S6S | SS316                         |
| <b>Connection Fitting</b>            | 15N | 1/2" NPT                      |
|                                      | 15B | 1/2" BSP                      |
|                                      | XXX | Please Specify                |
| <b>Insertion Length of "IL" (mm)</b> |     | Pl. Specify in mm             |
| <b>Tip OD &amp; Length "TL" (mm)</b> |     | Pl. Specify in mm             |

**Ordering Example:-** RTD108-1-1-3W-IEC-A-6-S6S-AI-2-15N-H2-S6S-15N-400-10-0



# RTD 201 - RTD Insert with Transition Joint



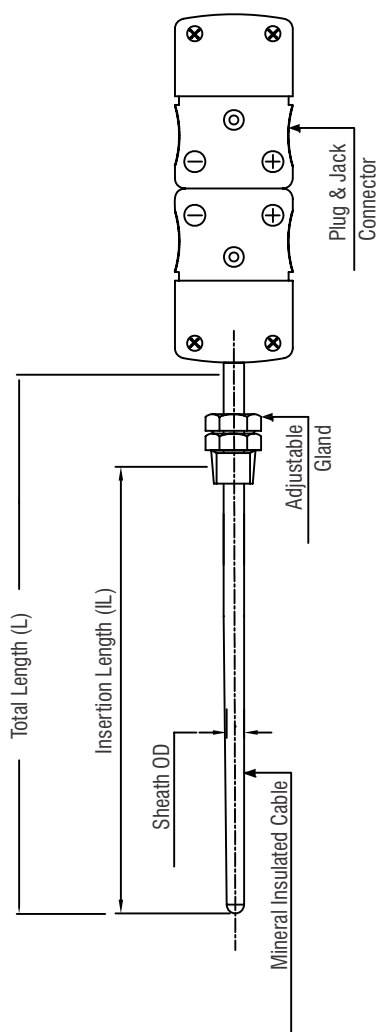
| Other Options |                       |
|---------------|-----------------------|
| 0             | None                  |
| 1             | CE Certification      |
| 2             | SS Conduit ( Armour ) |

**NOTE:** Pot Seal Length(Standard) - 40 mm  
 $L = IL + 50 \text{ mm}$

## RTD - 201

|                                      |                   |   |
|--------------------------------------|-------------------|---|
| <b>Element</b>                       | 1                 | Pt. 100   |
|                                      | 2                 | Pt. 1000  |
|                                      | XXX               | Please Specify                                  |
| <b>Element Type</b>                  | 1                 | Simplex   |
|                                      | 2                 | Duplex  |
| <b>Wire Configuration</b>            | 2W                | 2-Wire  |
|                                      | 3W                | 3-Wire  |
|                                      | 4W                | 4-Wire  |
| <b>Calibration Standard</b>          | IEC               | IEC 751   |
|                                      | DIN               | DIN 43760                                       |
| <b>Calibration Class</b>             | A                 | Class A   |
|                                      | B                 | Class B   |
| <b>Sheath 'OD'</b>                   | 3                 | 3 mm  |
|                                      | 4.5               | 4.5 mm  |
|                                      | 6                 | 6 mm  |
|                                      | 8                 | 8 mm  |
|                                      | 10                | 10 mm   |
|                                      | XXX               | Please Specify                                  |
| <b>Sheath Material</b>               | S6S               | SS316   |
|                                      | S6L               | SS316L  |
|                                      | XXX               | Please Specify                                  |
| <b>Adj. Gland MOC</b>                | S4S               | SS304   |
|                                      | S6S               | Ss316   |
|                                      | XXX               | Please Specify                                  |
| <b>Connection Fitting</b>            | 15N               | 1/2 " NPT                                       |
|                                      | 15B               | 1/2 " BSP                                       |
|                                      | XXX               | Please Specify                                  |
| <b>Insertion Length of "IL" (mm)</b> | Pl. Specify in mm |   |
| <b>Flexible Cable Type</b>           | 1                 | PTFE insulated, PTFE overall cable              |
|                                      | 2                 | PTFE Insulated, overall PTFE & SS braided cable |
|                                      | 3                 | FG/FG Insulated cable                           |
|                                      | 4                 | FG/FG/SS Cable                                  |
|                                      | 5                 | PTFE / SS / FG                                  |
| <b>Flexible Cable Length (mm)</b>    | Pl. Specify in mm |   |

# RTD 202 - RTD Insert with Plug & Jack Connector



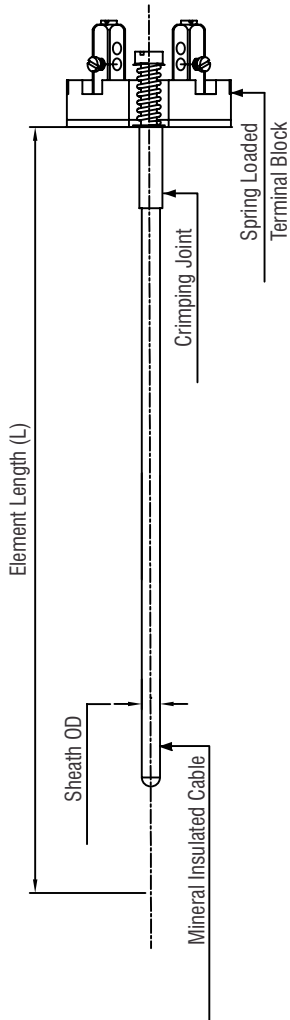
**NOTE:** Adjustable Gland Length - 50 mm  
 $L = IL + 50 \text{ mm}$

## RTD - 202

|                                      |                   |                |
|--------------------------------------|-------------------|----------------|
| <b>Element</b>                       | 1                 | Pt. 100        |
|                                      | 2                 | Pt. 1000       |
|                                      | XXX               | Please Specify |
| <b>Element Type</b>                  | 1                 | Simplex        |
|                                      | 2                 | Duplex         |
| <b>Wire Configuration</b>            | 2W                | 2-Wire         |
|                                      | 3W                | 3-Wire         |
|                                      | 4W                | 4-Wire         |
| <b>Calibration Standard</b>          | IEC               | IEC 751        |
|                                      | DIN               | DIN 43760      |
| <b>Calibration Class</b>             | A                 | Class A        |
|                                      | B                 | Class B        |
| <b>Sheath 'OD'</b>                   | 3                 | 3 mm           |
|                                      | 4.5               | 4.5 mm         |
|                                      | 6                 | 6 mm           |
|                                      | 8                 | 8 mm           |
|                                      | 10                | 10 mm          |
|                                      | XXX               | Please Specify |
| <b>Sheath Material</b>               | S6S               | SS316          |
|                                      | S6L               | SS316L         |
|                                      | XXX               | Please Specify |
| <b>Adj. Gland MOC</b>                | S4S               | SS304          |
|                                      | S6S               | SS316          |
|                                      | XXX               | Please Specify |
| <b>Connection Fitting</b>            | 15N               | 1/2" NPT       |
|                                      | 15B               | 1/2" BSP       |
|                                      | XXX               | Please Specify |
| <b>Insertion Length of "IL" (mm)</b> | Pl. Specify in mm |                |

**Ordering Example:-** RTD202-1-2-3W-IEC-A-6-S6S-S4S-15N-500

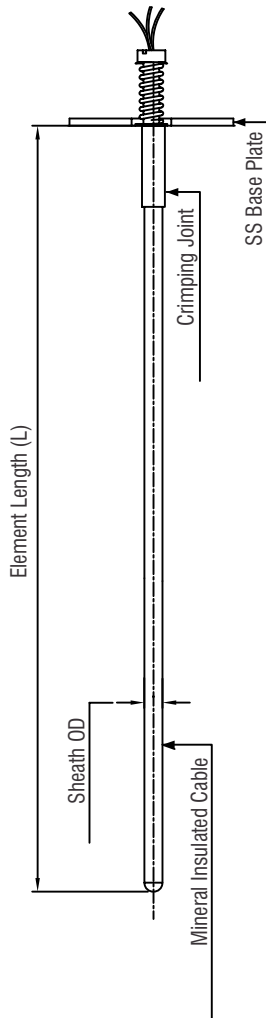
# RTD 203 - RTD Insert with Spring Loaded Terminal Block



## RTD - 203

|                                   |                   |                |
|-----------------------------------|-------------------|----------------|
| <b>Element</b>                    | 1                 | Pt. 100        |
|                                   | 2                 | Pt. 1000       |
|                                   | XXX               | Please Specify |
| <b>Element Type</b>               | 1                 | Simplex        |
|                                   | 2                 | Duplex         |
| <b>Wire Configuration</b>         | 2W                | 2-Wire         |
|                                   | 3W                | 3-Wire         |
|                                   | 4W                | 4-Wire         |
| <b>Calibration Standard</b>       | IEC               | IEC 751        |
|                                   | DIN               | DIN 43760      |
| <b>Calibration Class</b>          | A                 | Class A        |
|                                   | B                 | Class B        |
| <b>Sheath 'OD'</b>                | 3                 | 3 mm           |
|                                   | 4.5               | 4.5 mm         |
|                                   | 6                 | 6 mm           |
|                                   | 8                 | 8 mm           |
|                                   | 10                | 10 mm          |
|                                   | XXX               | Please Specify |
| <b>Sheath Material</b>            | S6S               | SS316          |
|                                   | S6L               | SS316L         |
|                                   | XXX               | Please Specify |
| <b>Element Length of "L" (mm)</b> | Pl. Specify in mm |                |

# RTD 204 - RTD Insert with SS Base Plate for Temperature Transmitter Mounting

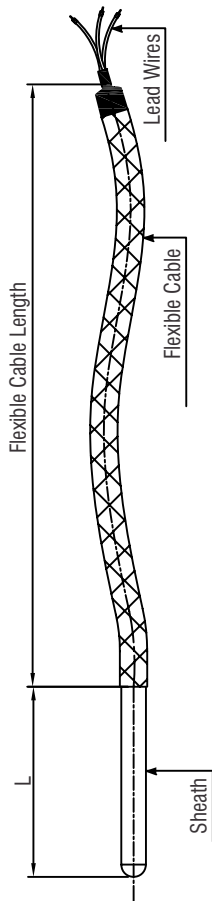


## RTD - 204

|                                   |                   |                |
|-----------------------------------|-------------------|----------------|
| <b>Element</b>                    | 1                 | Pt. 100        |
|                                   | 2                 | Pt. 1000       |
|                                   | XXX               | Please Specify |
| <b>Element Type</b>               | 1                 | Simplex        |
|                                   | 2                 | Duplex         |
| <b>Wire Configuration</b>         | 2W                | 2-Wire         |
|                                   | 3W                | 3-Wire         |
|                                   | 4W                | 4-Wire         |
| <b>Calibration Standard</b>       | IEC               | IEC 751        |
|                                   | DIN               | DIN 43760      |
| <b>Calibration Class</b>          | A                 | Class A        |
|                                   | B                 | Class B        |
| <b>Sheath 'OD'</b>                | 3                 | 3 mm           |
|                                   | 4.5               | 4.5 mm         |
|                                   | 6                 | 6 mm           |
|                                   | 8                 | 8 mm           |
|                                   | 10                | 10 mm          |
|                                   | XXX               | Please Specify |
| <b>Sheath Material</b>            | S6S               | SS316          |
|                                   | S6L               | SS316L         |
|                                   | XXX               | Please Specify |
| <b>Element Length of "L" (mm)</b> | Pl. Specify in mm |                |

Ordering Example:- RTD204-1-2-3W-IEC-A-6-S6S-500

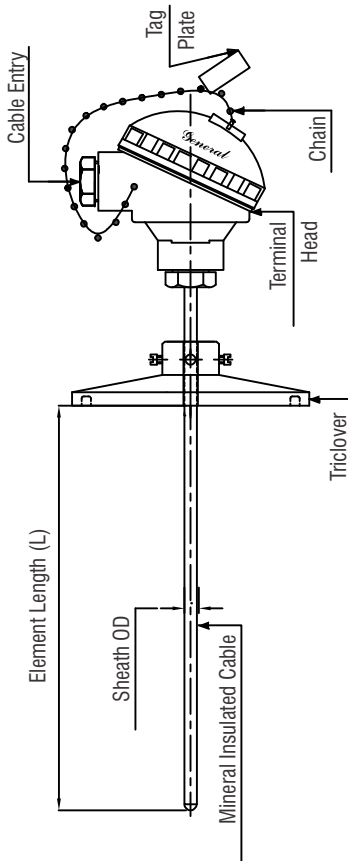
# RTD 205 - Bearing Temperature RTD



## RTD - 205

|                                   |                   |   |
|-----------------------------------|-------------------|---|
| <b>Element</b>                    | <b>1</b>          | Pt. 100   |
|                                   | <b>2</b>          | Pt. 1000  |
|                                   | <b>XXX</b>        | Please Specify                                  |
| <b>Element Type</b>               | <b>1</b>          | Simplex   |
|                                   | <b>2</b>          | Duplex  |
| <b>Wire Configuration</b>         | <b>2W</b>         | 2-Wire  |
|                                   | <b>3W</b>         | 3-Wire  |
|                                   | <b>4W</b>         | 4-Wire  |
| <b>Calibration Standard</b>       | <b>IEC</b>        | IEC 751   |
|                                   | <b>DIN</b>        | DIN 43760                                       |
| <b>Calibration Class</b>          | <b>A</b>          | Class A   |
|                                   | <b>B</b>          | Class B   |
| <b>Sheath 'OD'</b>                | <b>3</b>          | 3 mm  |
|                                   | <b>4.5</b>        | 4.5 mm  |
|                                   | <b>6</b>          | 6 mm  |
|                                   | <b>8</b>          | 8 mm  |
|                                   | <b>10</b>         | 10 mm   |
|                                   | <b>XXX</b>        | Please Specify                                  |
| <b>Sheath Material</b>            | <b>S6S</b>        | SS316   |
|                                   | <b>S6L</b>        | SS316L  |
|                                   | <b>XXX</b>        | Please Specify                                  |
| <b>Element Length of "L" (mm)</b> | Pl. Specify in mm |   |
| <b>Flexible Cable Type</b>        | <b>1</b>          | PTFE insulated, PTFE overall cable              |
|                                   | <b>2</b>          | PTFE Insulated, overall PTFE & SS braided cable |
|                                   | <b>3</b>          | FG/FG Insulated cable                           |
|                                   | <b>4</b>          | FG/FG/SS Cable                                  |
|                                   | <b>5</b>          | PTFE / SS / FG                                  |
| <b>Flexible Cable Length (mm)</b> | Pl. Specify in mm |   |

# RTD 302 - RTD Assembly with Tri-clamp Connection



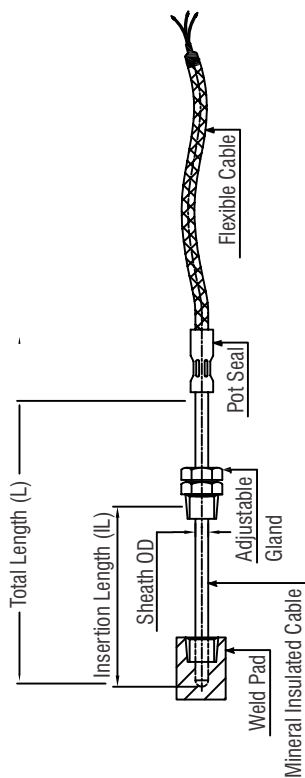
|   | Other Options                                 |
|---|---|
| 0 | None  |
| 1 | Cable Gland (Specify MOC [SS304,SS316,Brass]) |
| 2 | Plug (Specify MOC [Al,SS304,SS316])           |
| 3 | Head Mounted transmitter                      |
| 4 | CE Certification                              |

## RTD - 302

|   |                   |                                |
|---|-------------------|--------------------------------|
| <b>Element</b>                                    | 1                 | Pt. 100                        |
|   | 2                 | Pt. 1000                       |
|   | XXX               | Please Specify                 |
| <b>Element Type</b>                               | 1                 | Simplex                        |
|   | 2                 | Duplex                         |
| <b>Wire Configuration</b>                         | 2W                | 2-Wire                         |
|   | 3W                | 3-Wire                         |
|   | 4W                | 4-Wire                         |
| <b>Calibration Standard</b>                       | IEC               | IEC 751                        |
|   | DIN               | DIN 43760                      |
| <b>Calibration Class</b>                          | A                 | Class A                        |
|   | B                 | Class B                        |
| <b>Sheath 'OD' (Tip 'OD')</b>                     | 3                 | 3 mm                           |
|   | 4.5               | 4.5 mm                         |
|   | 6                 | 6 mm                           |
|   | 8                 | 8 mm                           |
|   | 10                | 10 mm                          |
|   | XXX               | Please Specify                 |
| <b>Sheath Material</b>                            | S6S               | SS316                          |
|   | 321               | SS321                          |
|   | 446               | SS446                          |
|   | 600               | Incoloy 600                    |
|   | 800               | Incoloy 800                    |
|   | XXX               | Please Specify                 |
| <b>Terminal Head</b>                              | AI                | Die cast Aluminium             |
|   | S4S               | SS304                          |
|   | S6S               | SS316                          |
| <b>No. of Cable Entries</b>                       | 1                 | Single                         |
|   | 2                 | Double                         |
| <b>Cable Entry (F)</b>                            | 15N               | 1/2" NPT                       |
|   | 20E               | 3/4" ET                        |
|   | 15M               | M20 x 1.5                      |
|   | 15B               | 1/2" BSP                       |
| <b>Head Type</b>                                  | H1                | Weatherproof IP-65             |
|   | H2                | Weatherproof IP-67             |
|   | H3                | Flameproof, IP-67, Gr IIA, IIB |
|   | H4                | Explosionproof, IP-67, Gr IIC  |
|   | H5                | ATEX                           |
| <b>Connection Fitting TC (Triclover/Triclamp)</b> | 15TC              | 1/2 " NPT                      |
|   | 20TC              | 3/4 " BSP                      |
|   | 25TC              | 1"                             |
|   | 40TC              | 1.1/2"                         |
|   | XXX               | Please Specify                 |
| <b>Nominal Length of "L" (mm)</b>                 | Pl. Specify in mm |                                |

Ordering Example:- RTD302-1-1-3W-IEC-A-6-S6S-AI-1-15N-H1-25TC-200-0

# RTD 207 - RTD with Weld Pad & Cable

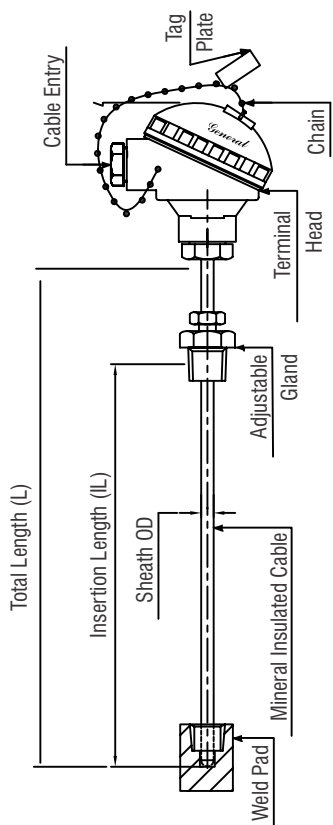


**NOTE:** Pot Seal Length(Standard) - 40 mm  
 $L = IL + 50 \text{ mm}$

## RTD - 207

|                                      |                                       |   |
|--------------------------------------|---------------------------------------|---|
| <b>Element</b>                       | 1                                     | Pt. 100   |
|                                      | 2                                     | Pt. 1000  |
|                                      | XXX                                   | Please Specify                                  |
| <b>Element Type</b>                  | 1                                     | Simplex   |
|                                      | 2                                     | Duplex  |
| <b>Wire Configuration</b>            | 2W                                    | 2-Wire  |
|                                      | 3W                                    | 3-Wire  |
|                                      | 4W                                    | 4-Wire  |
| <b>Calibration Standard</b>          | IEC                                   | IEC 751   |
|                                      | DIN                                   | DIN 43760                                       |
| <b>Calibration Class</b>             | A                                     | Class A   |
|                                      | B                                     | Class B   |
| <b>Sheath 'OD'</b>                   | 3                                     | 3 mm  |
|                                      | 4.5                                   | 4.5 mm  |
|                                      | 6                                     | 6 mm  |
|                                      | 8                                     | 8 mm  |
|                                      | 10                                    | 10 mm   |
|                                      | XXX                                   | Please Specify                                  |
| <b>Sheath Material</b>               | S6S                                   | SS316   |
|                                      | S6L                                   | SS316L  |
|                                      | XXX                                   | Please Specify                                  |
| <b>Adj. Gland MOC</b>                | S4S                                   | SS304   |
|                                      | S6S                                   | Ss316   |
|                                      | XXX                                   | Please Specify                                  |
| <b>Connection Fitting</b>            | 15N                                   | 1/2 " NTP                                       |
|                                      | 15B                                   | 1/2 " BSP                                       |
|                                      | XXX                                   | Please Specify                                  |
| <b>Insertion Length of "IL" (mm)</b> | Pl. Specify in mm                     |   |
| <b>Flexible Cable Type</b>           | 1                                     | PTFE insulated, PTFE overall cable              |
|                                      | 2                                     | PTFE Insulated, overall PTFE & SS braided cable |
|                                      | 3                                     | FG/FG Insulated cable                           |
|                                      | 4                                     | FG/FG/SS Cable                                  |
|                                      | 5                                     | PTFE / SS / FG                                  |
| <b>Flexible Cable Length in (mm)</b> | Pl. Specify in mm                     |   |
| <b>Weld Pad MOC</b>                  | S6S                                   | SS316   |
|                                      | S6L                                   | SS316L  |
|                                      | XXX                                   | Please Specify                                  |
| <b>Weld Pad Dimensions</b>           | Length (L) x Breadth (B) x Height (H) |   |

# RTD 301 - RTD Assembly with adjustable Connection With Weld Pad



| Other Options |   |
|---------------|---|
| 0             | None  |
| 1             | Cable Gland (Specify MOC [SS304,SS316,Brass]) |
| 2             | Plug (Specify MOC [Al,SS304,SS316])           |
| 3             | Head Mounted transmitter                      |
| 4             | CE Certification                              |
| 5             | Only Base Plate Suitable for TT               |
| 6             | 6 Pin / 10 Pin Connector                      |
| 7             | Special                                       |
| 8             | 'L' Type Mounting Bracket                     |

NOTE: Adjustable Gland Length - 50 mm

$$L = IL + 50 \text{ mm}$$

## RTD - 301

|                               |                                       |                                |
|-------------------------------|---------------------------------------|--------------------------------|
| Element                       | 1                                     | Pt. 100                        |
|                               | 2                                     | Pt. 1000                       |
|                               | XXX                                   | Please Specify                 |
| Element Type                  | 1                                     | Simplex                        |
|                               | 2                                     | Duplex                         |
| Wire Configuration            | 2W                                    | 2-Wire                         |
|                               | 3W                                    | 3-Wire                         |
|                               | 4W                                    | 4-Wire                         |
| Calibration Standard          | IEC                                   | IEC 751                        |
|                               | DIN                                   | DIN 43760                      |
| Calibration Class             | A                                     | Class A                        |
|                               | B                                     | Class B                        |
| Sheath 'OD' (Tip 'OD')        | 3                                     | 3 mm                           |
|                               | 4.5                                   | 4.5 mm                         |
|                               | 6                                     | 6 mm                           |
|                               | 8                                     | 8 mm                           |
|                               | 10                                    | 10 mm                          |
|                               | XXX                                   | Please Specify                 |
| Sheath Material               | S6S                                   | SS316                          |
|                               | S6L                                   | SS316L                         |
|                               | XXX                                   | Please Specify                 |
| Terminal Head                 | AI                                    | Die cast Aluminium             |
|                               | S4S                                   | SS304                          |
|                               | S6S                                   | SS316                          |
| No. of Cable Entries          | 1                                     | Single                         |
|                               | 2                                     | Double                         |
| Cable Entry (F)               | 15N                                   | 1/2" NPT                       |
|                               | 20E                                   | 3/4" ET                        |
|                               | 15M                                   | M20 x 1.5                      |
|                               | 15B                                   | 1/2" BSP                       |
| Head Type                     | H1                                    | Weatherproof IP-65             |
|                               | H2                                    | Weatherproof IP-67             |
|                               | H3                                    | Flameproof, IP-67, Gr IIA, IIB |
|                               | H4                                    | Explosionproof, IP-67, Gr IIC  |
|                               | H5                                    | ATEX                           |
| Adj. Gland MOC                | S4S                                   | SS304                          |
|                               | S6S                                   | SS316                          |
| Connection Fitting            | 15N                                   | 1/2" NPT                       |
|                               | 15B                                   | 1/2" BSP                       |
|                               | XXX                                   | Please Specify                 |
| Insertion Length of "IL" (mm) | Pl. Specify in mm                     |                                |
| Weld Pad MOC                  | S6S                                   | SS316                          |
|                               | S6L                                   | SS316L                         |
|                               | XXX                                   | Please Specify                 |
| Weld Pad Dimensions           | Length (L) x Breadth (B) x Height (H) |                                |

Ordering Example:- RTD301-1-1-3W-IEC-A-6-S6S-AI-2-15N-H2-S6S-15N-400-S6S-25x25x15-0