

Float & Tape Level Gauges



Features

- Float and tape gauge are applicable for upto 50 bar pressure and upto 400 deg cent
- NACE, H2S service compatibility applicable
- Applicable for refinery, petrochemical, chemical, power, radioactive, fertilizer, food, pharma, metal industry applications
- Options with switch version available

General Float and tape Type level Indicator is the version applicable for level indication system in Water, Furnace oil, Chemicals, Acids storage tank level measurement.

Available in two types:

- Guided Type
- Unguided Type



Tank Gauge Installation:

Float and tape gauging is suitable for almost all product applications and tank types

- Accuracy ± 2 mm with 400 mm diameter float
- Least Count 1 mm
- Measuring range 0 to 20 meters with dial / counter (Optional: 0 to 30 meters with counter)
- Suitable for upto 50 kg/cm² pressure
- Suitable for upto 400 deg cent temperature
- Dial size max upto 500mm and other on special accuracy and demand

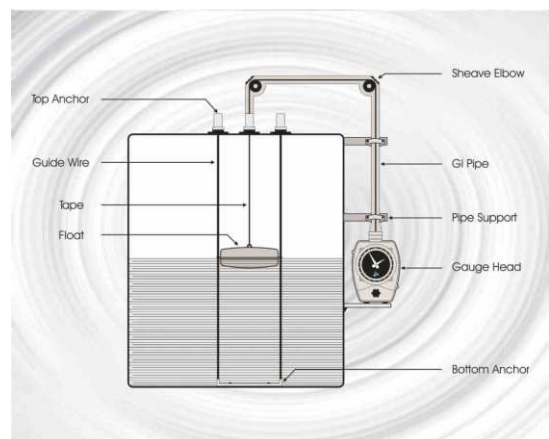
It is an economical mechanical gauge provides high accuracy in mm. Largely used in Refineries, Oil Depots, Chemical and Fertilizer Industries. Useful for medium and large size charged or empty tanks. It may be cone roof, floating roof, underground or gas holding tank. It covers critical applications like corrosive & aggressive acids (using non-metallic wetted parts) & liquids with fumes (using vapor seal).

Less Maintenance:

Once carefully installed gives trouble free operations for a number of years (with periodic maintenance). A specially designed cylindrical body floats on liquid surface on account of its buoyancy. The liquid level is transmitted by means of a tape connected to float on one side and gear mechanism on the other side. Gears rotate the pointer on a dial or counter mechanism to display readings. A drum and spring mechanism provides constant tension on tape to keep it straight and thus balancing the force due to apparent float weight on one side and spring tension on other side.

Float Guide wires:

Guide wires provide stability for the float during turbulent conditions and increased accuracy by reducing the horizontal movement of the float across the surface of the product. Accessories are available to allow in-service installations, such as weighted anchors that maintain tension in the guide wires without the need for welding inside the tank.



Float & Tape Level Gauges



Technical Specifications:

Type of Gauge	Guided type ----- FBI/G Unguided type ----- FBI/U
Mounting	Top
Pressure	Upto 50 kg/cm ²
Temperature	Upto 40°C
Measuring range	Max. upto 25000mm
Accuracy	1%
MOC Of Float	SS316, SS316L, PP, PTFE, Monel, Titanium, Alloy 20
MOC Of Wire (Float & Guide)	SS316, SS316L, SS304L, PTFE
MOC Of Flange	SS316, SS316L, PP, PTFE, Monel, Titanium, Alloy 20, PVDF
Dial Counter	150mm up to 500mm
MOC Of Dial Counter	Die cast aluminium with anticorrosion powder coat
Dial Enclosure	IP 65
Dial Counter holder	SS316, GI, A106, SS316L
Anchor plate for Guide & Float Wire	SS304, A106, SS316, SS316L, SS304L, Monel, hastelloy, Alloy 20
Process Connection	Flanged

Special Materials

Standard, moderate, severe and extreme service kits are available for applications involving extreme temperatures, pressures or aggressive products. There kits include material options for specific parts that make contact with the product in the tank, tape piping or gauge head, such as:

- Steel
- Aluminium
- Stainless steel

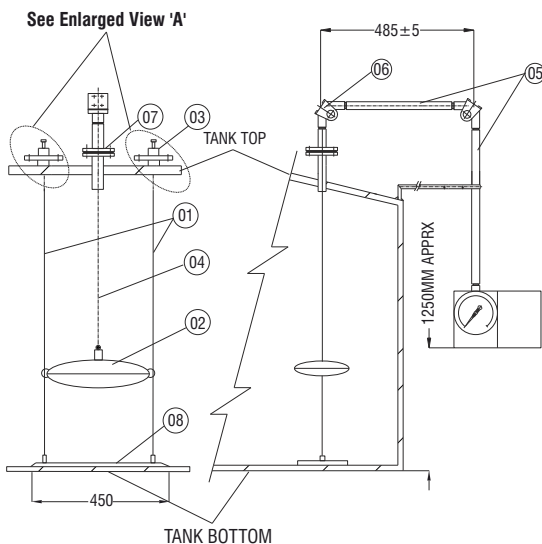
Product Type

Due to the float and tape measurement technique, the following are just some of the products suitable for level measurement using a float and tape device:

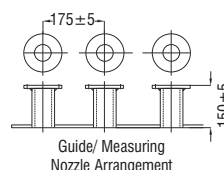
- Crudes
- Gasoline
- Jet fuel
- AV (Aviation) gas - high octane gas for small aircraft
- Diesel
- Chemicals
- Additives
- Solvents
- Water

G A Drawing Applicable

Indicator system with scale board for long distance viewing and metric dial counter for ground reading purpose



- 01 Guide Wire
- 02 Float
- 03 Guide Rope Tension Assembly
- 04 Float Rope
- 05 Protection Limb
- 06 Pulleys
- 07 Flange
- 08 Anchor Plate
- 09 Scale Board
- 10 Pointer



Enlarged View A

Ordering Information

FTLG GT-XD-WQ-F01-ZA-XX-Z



Type	
GT	Guided Type
UT	Unguided Type

MOC of Float	
XD	SS316
XE	SS316L
XF	PP
XH	Monel 500
XI	Titanium
XK	Hastelloy C

MOC of Wire	
WQ	SS304
WR	SS304L
WS	SS316
WT	SS316L
WU	PP

Process Connection	
Flanged Connection	
F01	1/2", 150# RF
F02	3/4", 150# RF
F03	1", 150# RF
F04	1.5", 150# RF
F05	2", 150# RF
F09	1/2", 300# RF
F10	3/4", 300# RF
F11	1", 300# RF
F12	1.5", 300# RF
F13	2", 300# RF

Range	
XX	Please Specify
Z	NIL

MOC of Connection	
ZA	CS (A105)
ZB	CS (A106)
ZC	SS 304
ZD	SS 304L
ZE	SS 316
ZF	SS 316L