

Multi - Port Gauge Valves

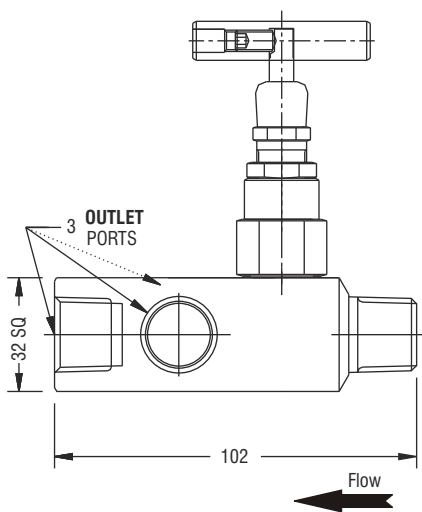
General

Model No. MPV

Multiport gauge valve is designed for giving the user flexibility in positioning of gauges or pressure switches. These valve can be supplied with vent valve and blanking plug separately.



Description



Test Pressure	@ 25°C Room Temperature Hydrostatic : Body - 415 bar(g) Seat - 415 bar(g) Pneumatic : Seat - 7 bar(g)
Gland Packing	PTFE : Standard Graphoil : Temperatures above 200°C
Material	A105, A 479 304, A 479 316, A182 GR F 316, Monel, Hastelloy, Duplex
Finish	CS zinc plated. SS Natural

Connections

(INLET x OUTLET)	PART No.
1/2" MNPT x 1/2" FNPT	G8 MPV M/FN
1/2" FNPT x 1/2" FNPT	G8 MPV FN
3/4" MNPT x 1/2" FNPT	G12-8 MPV M/FN

Note: Also available with BSP and BSP taper threads.

Note: Drawings, Dimensions and other information are subject to change without notice, as a part of our continues research and development.