

## Needle Valves Screwed Bonnet Design Female Ends

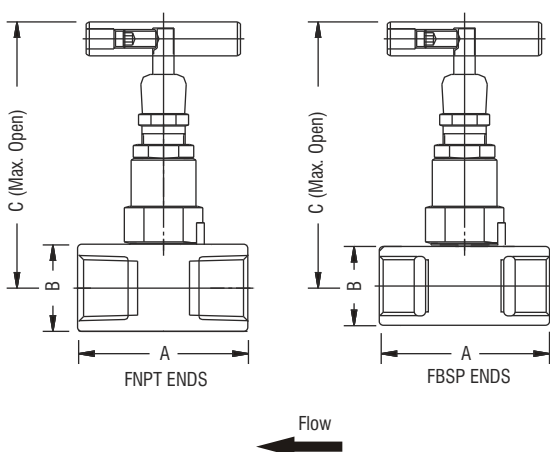
*General*

### Model No. NV M/F

Designed for use in purpose applications for throttling and straight shut off of liquids, gas or vapour service. These needle valves are available with a variety of end connections and stem packing.



## Description



<b>Test Pressure</b>	@ 25°C Room Temperature Hydrostatic : Body - 415 bar(g) Seat - 415 bar(g) Pneumatic : Seat - 7 bar(g)
<b>Gland Packing</b>	PTFE : Standard Graphoil : Temperatures above 200°C
<b>Material</b>	A105, A 479 304, A 479 316, A182 GR F 316, Monel, Hastelloy, Duplex
<b>Finish</b>	CS zinc plated. SS Natural

### Connections

SIZE	A	B	C	Part No.	Size	A	B	C	PART No.
1/4" FNPT	56	25	89	G4 FNVN	1/4" BSP	56	25	90	G4 FNVR
3/8" FNPT	56	25	89	G6 FNVN	3/8" BSP	56	25	90	G6 FNVR
1/2" FNPT	65	28	90	G8 FNVN	1/2" BSP	65	28	92	G8 FNVR
3/4" FNPT	65	36	110	G12 FNVN	3/4" BSP	65	36	92	G12 FNVR
1" FNPT	80	42	113	G16 FNVN	1" BSP	80	42	100	G16 FNVR

**Note:** Drawings, Dimensions and other information are subject to change without notice, as a part of our continues research and development.