

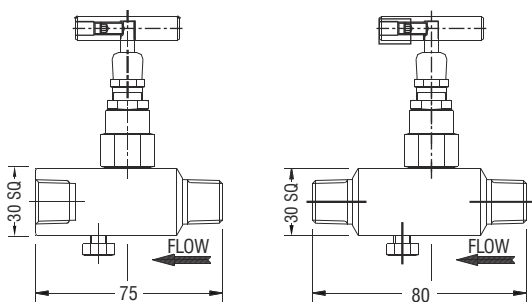
Single Block & Bleed Gauge Valves

Model No. GIV

Needle Valve with down stream vent for usage with Static Pressure Gauge and instrument installation for isolation and venting.



Description



Test Pressure	@ 25°C Room Temperature Hydrostatic : Body - 415 bar(g) Seat - 415 bar(g) Pneumatic : Seat - 7 bar(g)
Gland Packing	PTFE : Standard Graphoil : Temperatures above 200°C
Material	A105, A 479 304, A 479 316, A182 GR F 316, Monel, Hastelloy, Duplex
Finish	CS zinc plated. SS Natural

Connections

(INLET x OUTLET) x DRAIN	PART No.
1/2" MNPT x 1/2" MNPT x 1/4" NPT PLUG	G8 GIV.M.N.D
1/2" MNPT x 1/2" FNPT x 1/4" NPT PLUG	G8 GIV.M/F.N.D
1/2" FNPT x 1/2" FNPT x 1/4" NPT PLUG	G8 GIV.F.N.D
3/4" MNPT x 1/2" FNPT x 1/4" NPT PLUG	G12-8 GIV.M/F.N.D

Note: Also available with BSP and BSP Taper Pipe Threads bigger pipe connections on request.