

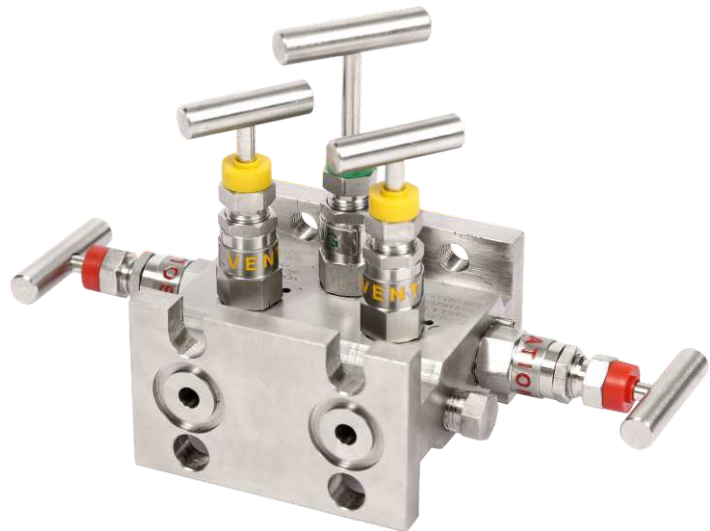
# Five Valve Manifold, Direct Mounting - H Type

*General*

## Model No. G5 VMFF 1

Five Valve Manifold Model G5 VMFF 1 is designed for direct or remote mounting of differential pressure transmitters. For remote mounting two oval / kidney flanges are used for connecting process pipe to manifold block. These manifold block incorporate five valves, two main valve for process isolation valve for vent one valves for equalizing.

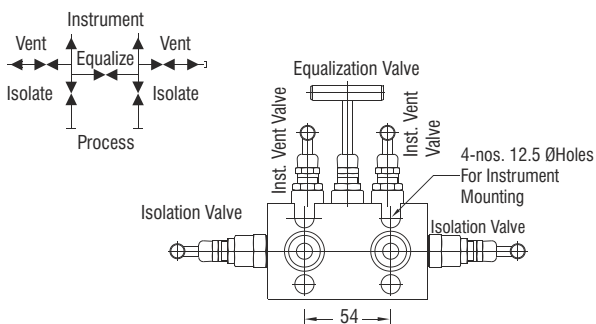
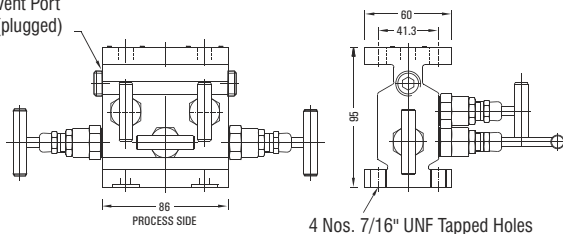
Dimensions shown above are for the standard 54 mm or 2 1/8 inch instrument connection Centre distance found in majority of instruments. The manifold is also available for instruments with other centre distances for instrument connections (as 55 mm, 56 mm and 57 mm) but dimensions shown will vary. Please consult us for these dimensions.



**Flanged instrument and process connection**

## Description

2 Nos. 1/4" NPT  
Vent Port  
(plugged)



### Connections

Process : Flanged  
Instrument : Flanged  
Drain/Vent : 1/4" NPT (F)

### Test Pressure

@ 25°C Room Temperature  
Hydrostatic : Body - 415 bar(g)  
Seat - 415 bar(g)  
Pneumatic : Seat - 7 bar(g)

### Gland Packing

PTFE : Standard  
GRAPHOIL : Temperatures above 200°C

### Material

A 105, A 182 GR F 304,  
A 182 GR F 316, Monel, Hastelloy

### Finish

CS zinc plated. SS Natural

### Mounting Kit

Mounting bracket with U bolts and necessary kits for fitting on 2" NB stanchion pipe stand or wall mount. (to be ordered separately)

### Option

Test Port on process side with plug.

### Accessory

Mounting Bolts - IS : 1364 - 1960 - 4 Nos  
Interface seal - PTFE / VITON - 2 Nos