

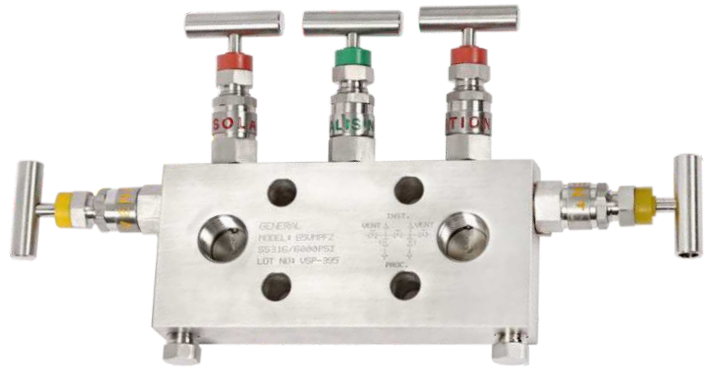
Five Valve Manifold, Direct Mounting



Model No. G5 VMPF2

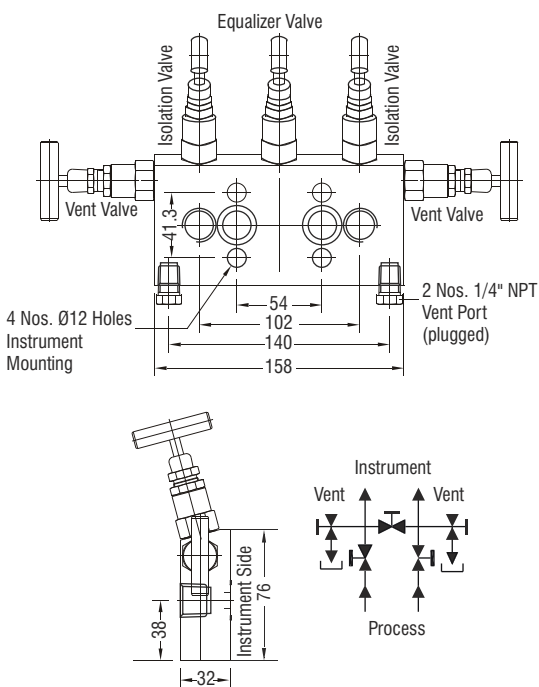
Five Valve Manifold Model G5VMPF2 is designed for direct mounting on differential pressure instruments. The manifold incorporates two process isolation valves, one equalizer valve and two drain/vent valves with separate connections. The process connection is through threaded connections for tube or pipe assembly. The valves are suitably angled to prevent fouling with the instrument.

Dimensions shown are for the standard 54 mm or 2 1/8 inch instrument connection centres but also available for other centres on request.



Vent valves on side and rest on top, screwed process connection

Description



Connections	Process : 1/2" NPT (F) Instrument : Flanged Drain/Vent : 1/4" NPT (F)
Test Pressure	@ 25°C Room Temperature Hydrostatic : Body - 415 bar(g) Seat - 415 bar(g) Pneumatic : Seat - 7 bar(g)
Gland Packing	PTFE : Standard GRAPHOIL : Temperatures above 200°C
Material	A 105, A 182 / A 479 GR F 304, A 182 / A 479 GR F316, Monel, Hastelloy, Duplex
Finish	CS zinc plated. SS Natural
Option	Test Port on precess side with plug
Accessory	Mounting Bolts - IS : 1364 - 1960 - 4 Nos Interface seal - PTFE / VITON - 2 Nos

Note: Also available with BSP and BSP taper threads.

Note: Drawings, Dimensions and other information are subject to change without notice, as a part of our continued research and development.