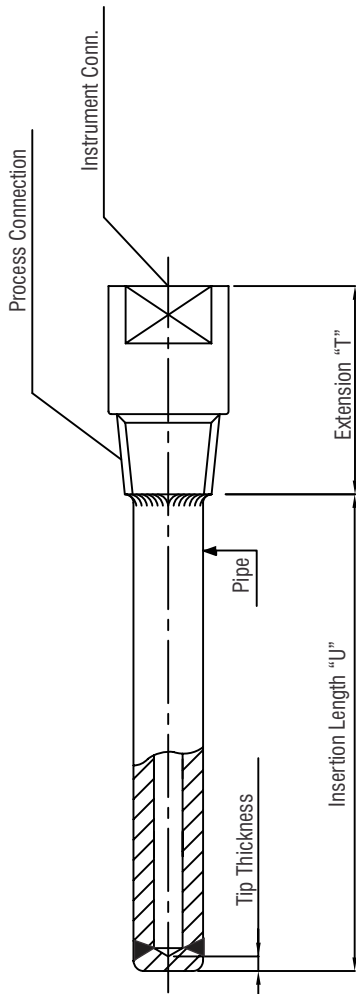


TW FT 01 - Fabricated Threaded Type Thermowell



Other Options	
0	None
1	Plug & Chain
5	NACE to MR-01-75-/-MR-01-03

TWFT - 01

Thermowell Material

S4S	SS304	825	Incoloy® 825
S6S	SS316	600	Inconel® 600
310	SS310	800	Incoloy® 800
446	SS446	321	SS321
S4L	SS304L	KAN	Kanthal
S6L	SS316L	HCC	Hastelloy® C-276
CST	CS	HCB	Hastelloy® B
410	SS410	MN4	Monel® 400
S7S	SS317	MN5	Monel® 500
S7L	SS317L	TI2	Ti-2
N20	Nickel 200		
**Special material on Request			

Pipe Size & schedule

15A	1/2" Sch 40
15B	1/2" Sch 80
15C	1/2" Sch 160
20A	3/4" Sch 40
20B	3/4" Sch 80
25A	1" Sch 40
25B	1" Sch 80
25C	1" Sch 160
10x7	10 mm x 7 mm
14x9	14 mm x 9 mm
Other	Consult Factory

Instrument Connection

THREADED - T					
Size	Code	Type	Code	M / F	Code
1/4"	06	NPS	NS	M	M
3/8"	10	NPT	NT	F	F
1/2"	15	BSP	BP		
3/4"	20	BSPT	BT		
1"	25	JIS-PF	PF		
1-1/2"	40	JIS-PT	PT		
2"	50	Gas	GS		
M20	M20	R	RR		
M24	M24	Rp	RP		
M27	M27	Pitch 1.5	C		
M33	M33	Pitch 2	D		

Process Connection

Insertion Length ("U")

Pl. Specify in mm

Extension Length ("T")

Pl. Specify in mm

Tip Thickness

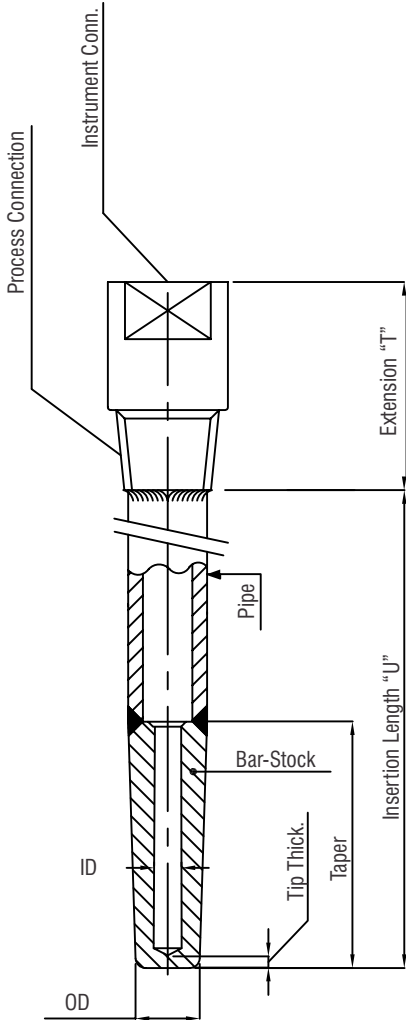
Pl. Specify in mm

Ordering Example:- TWFT01-S6S-(10x7)-T15NTF-T20BPM-1500-50-5-0

TW FT 02 - Fabricated Threaded Type Thermowell (Pipe + Barstock)



TWFT - 02



Other Options	
0	None
1	Plug & Chain
5	NACE to MR-01-75-/MR-01-03

Thermowell Material

S4S	SS304	825	Incoloy® 825
S6S	SS316	600	Inconel® 600
310	SS310	800	Incoloy® 800
446	SS446	321	SS321
S4L	SS304L	KAN	Kanthal
S6L	SS316L	HCC	Hastelloy® C-276
CST	CS	HCB	Hastelloy® B
410	SS410	MN4	Monel® 400
S7S	SS317	MN5	Monel® 500
S7L	SS317L	TI2	Ti-II
N20	Nickel 200		
**Special material on Request			

Pipe Size & schedule

15A	1/2 " Sch 40
15B	1/2 " Sch 80
15C	1/2 " Sch 160
20A	3/4 " Sch 40
20B	3/4 " Sch 80
25A	1" Sch 40
25B	1" Sch 80
25C	1" Sch 160
10x7	10 mm x 7 mm
14x9	14 mm x 9 mm
Other	Consult Factory

Barstock OD at Tip

Pl. Specify in mm

Barstock ID

Pl. Specify in mm

Taper Length

Pl. Specify in mm

Instrument Connection

THREADED - T					
Size	Code	Type	Code	M / F	Code
1/4"	06	NPS	NS	M	M
3/8"	10	NPT	NT	F	F
1/2"	15	BSP	BP		
3/4"	20	BSPT	BT		
1"	25	JIS-PF	PF		
1-1/2"	40	JIS-PT	PT		
2"	50	Gas	GS		
M20	M20	R	RR		
M24	M24	Rp	RP		
M27	M27	Pitch 1.5	C		
M33	M33	Pitch 2	D		

Process Connection

Insertion Length ("U")

Pl. Specify in mm

Extension Length ("T")

Pl. Specify in mm

Tip Thickness

Pl. Specify in mm

Ordering Example:- TWFT02-S6S-15A-16-7-150-T15NTF-T20BPM-1500-50-5-0