

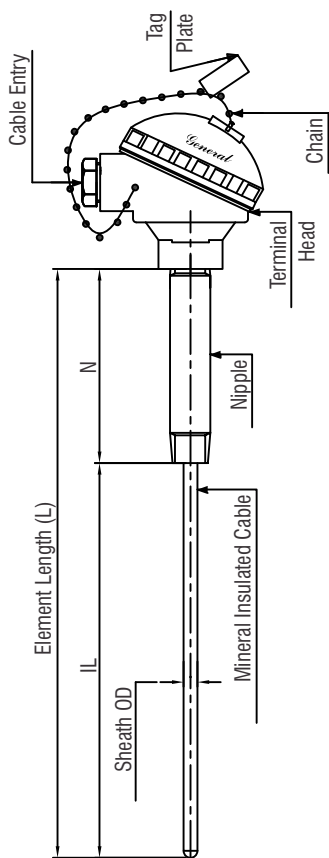
	Other Options
0	None
1	Cable Gland (Specify MOC [SS304,SS316,Brass])
2	Plug (Specify MOC [Al,SS304,SS316])
3	Head Mounted transmitter
4	CE Certification
5	Only Base Plate Suitable for TT
6	6 Pin / 10 Pin Connector
7	Special
8	'L' Type Mounting Bracket

## RTD - 101

<b>Element</b>	1	Pt. 100
	2	Pt. 1000
	XXX	Please Specify
<b>Element Type</b>	1	Simplex
	2	Duplex
<b>Wire Configuration</b>	2W	2-Wire
	3W	3-Wire
	4W	4-Wire
<b>Calibration Standard</b>	IEC	IEC 751
	DIN	DIN 43760
<b>Calibration Class</b>	A	Class A
	B	Class B
<b>Sheath 'OD'</b>	3	3 mm
	4.5	4.5 mm
	6	6 mm
	8	8 mm
	10	10 mm
	XXX	Please Specify
<b>Sheath Material</b>	S6S	SS316
	S6L	SS316L
	XXX	Please Specify
<b>Terminal Head</b>	AI	Die cast Aluminium
	S4S	SS304
	S6S	SS316
<b>No. of Cable Entries</b>	1	Single
	2	Double
<b>Cable Entry (F)</b>	15N	1/2" NPT
	20E	3/4" ET
	15M	M20 x 1.5
	15B	1/2" BSP
<b>Head Type</b>	H1	Weatherproof IP-65
	H2	Weatherproof IP-67
	H3	Flameproof, IP-67, Gr IIA, IIB
	H4	Explosionproof, IP-67, Gr IIC
	H5	ATEX
<b>Element Length of "L" (mm)</b>	Pl. Specify in mm	

Ordering Example:- RTD101-1-2-3W-IEC-A-6-S6S-AI-2-15N-H1-500-1(SS316)

# RTD 102 - RTD Assembly with Nipple Extension



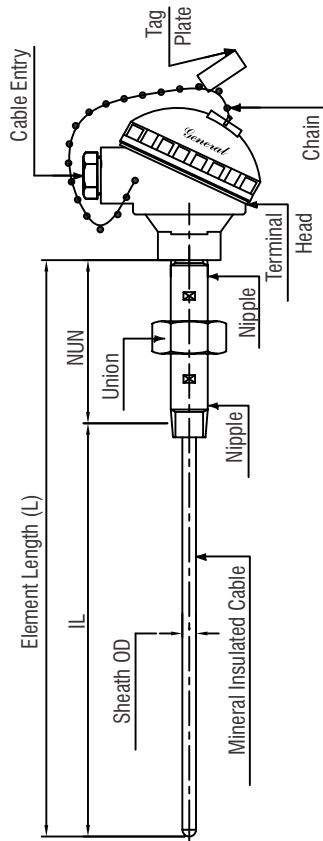
Other Options	
0	None
1	Cable Gland (Specify MOC [SS304,SS316,Brass])
2	Plug (Specify MOC [Al,SS304,SS316])
3	Head Mounted transmitter
4	CE Certification
5	Only Base Plate Suitable for TT
6	6 Pin / 10 Pin Connector
7	Special
9	Thermowell

## RTD - 102

<b>Element</b>	1	Pt. 100
	2	Pt. 1000
	XXX	Please Specify
<b>Element Type</b>	1	Simplex
	2	Duplex
<b>Wire Configuration</b>	2W	2-Wire
	3W	3-Wire
	4W	4-Wire
<b>Calibration Standard</b>	IEC	IEC 751
	DIN	DIN 43760
<b>Calibration Class</b>	A	Class A
	B	Class B
<b>Sheath 'OD'</b>	3	3 mm
	4.5	4.5 mm
	6	6 mm
	8	8 mm
	10	10 mm
	XXX	Please Specify
<b>Sheath Material</b>	S6S	SS316
	S6L	SS316L
	XXX	Please Specify
<b>Terminal Head</b>	AI	Die cast Aluminium
	S4S	SS304
	S6S	SS316
<b>No. of Cable Entries</b>	1	Single
	2	Double
<b>Cable Entry (F)</b>	15N	1/2" NPT
	20E	3/4" ET
	15M	M20 x 1.5
	15B	1/2" BSP
<b>Head Type</b>	H1	Weatherproof IP-65
	H2	Weatherproof IP-67
	H3	Flameproof, IP-67, Gr IIA, IIB
	H4	Explosionproof, IP-67, Gr IIC
	H5	ATEX
<b>Nipple MOC</b>	C	Cadmium Plated CS
	S4S	SS304
	S6S	SS316
<b>N Length</b>	A	75 mm
	B	100 mm
	C	150 mm
	XXX	Please Specify
<b>Connection Fitting</b>	15N	1/2 " NPT
	15B	1/2 " BSP
	XXX	Please Specify
<b>Insertion Length of "IL" (mm)</b>	Pl. Specify in mm	

Ordering Example:- RTD102-1-1-3W-IEC-A-6-S6S-AI-2-15N-H2-C-B-15N-400-1(SS316)

# RTD 103 - RTD Assembly with Nipple Union Nipple Extension



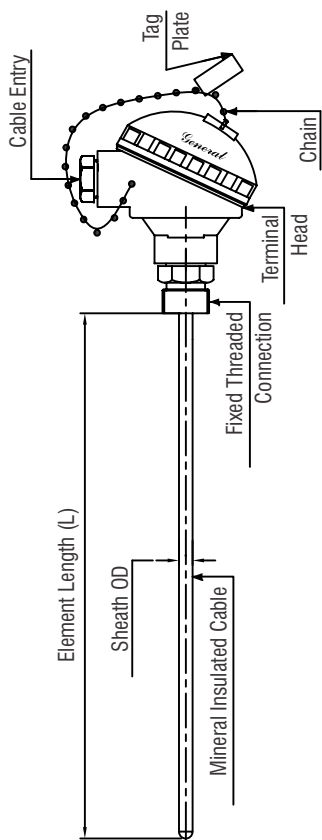
Other Options	
0	None
1	Cable Gland (Specify MOC [SS304,SS316,Brass])
2	Plug (Specify MOC [Al,SS304,SS316])
3	Head Mounted transmitter
4	CE Certification
5	Only Base Plate Suitable for TT
6	6 Pin / 10 Pin Connector
7	Special
9	Thermowell

## RTD - 103

<b>Element</b>	1	Pt. 100
	2	Pt. 1000
	XXX	Please Specify
<b>Element Type</b>	1	Simplex
	2	Duplex
<b>Wire Configuration</b>	2W	2-Wire
	3W	3-Wire
	4W	4-Wire
<b>Calibration Standard</b>	IEC	IEC 751
	DIN	DIN 43760
<b>Calibration Class</b>	A	Class A
	B	Class B
<b>Sheath 'OD'</b>	3	3 mm
	4.5	4.5 mm
	6	6 mm
	8	8 mm
	10	10 mm
XXX	Please Specify	
<b>Sheath Material</b>	S6S	SS316
	S6L	SS316L
	XXX	Please Specify
<b>Terminal Head</b>	AI	Die cast Aluminium
	S4S	SS304
	S6S	SS316
<b>No. of Cable Entries</b>	1	Single
	2	Double
<b>Cable Entry (F)</b>	15N	1/2" NPT
	20E	3/4" ET
	15M	M20 x 1.5
	15B	1/2" BSP
<b>Head Type</b>	H1	Weatherproof IP-65
	H2	Weatherproof IP-67
	H3	Flameproof, IP-67, Gr IIA, IIB
	H4	Explosionproof, IP-67, Gr IIC
	H5	ATEX
<b>NUN MOC</b>	C	Cadmium Plated CS
	S4S	SS304
	S6S	SS316
<b>NUN Length</b>	B	100 mm
	C	150 mm
	XXX	Please Specify
<b>Connection Fitting</b>	15N	1/2" NPT
	15B	1/2" BSP
	XXX	Please Specify
<b>Insertion Length of "IL" (mm)</b>	Pl. Specify in mm	

Ordering Example:- RTD103-1-1-3W-IEC-A-6-S6S-AI-2-15N-H2-C-B-15N-400-1(SS316)

# RTD 104 - RTD Assembly with Fixed Threaded Connection



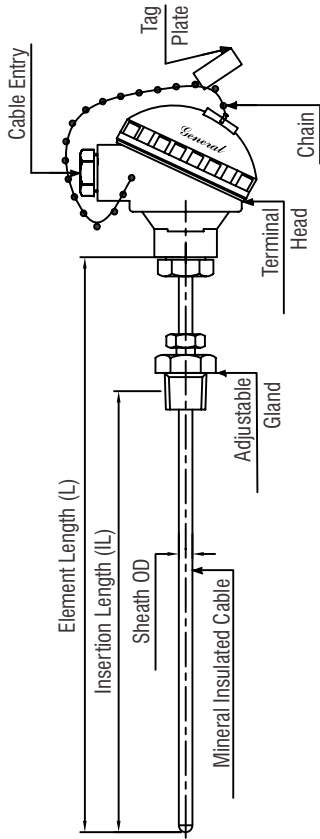
Other Options	
0	None
1	Cable Gland (Specify MOC [SS304,SS316,Brass])
2	Plug (Specify MOC [Al,SS304,SS316])
3	Head Mounted transmitter
4	CE Certification
5	Only Base Plate Suitable for TT
6	6 Pin / 10 Pin Connector
7	Special
9	Thermowell

## RTD - 104

<b>Element</b>	1	Pt. 100
	2	Pt. 1000
	XXX	Please Specify
<b>Element Type</b>	1	Simplex
	2	Duplex
<b>Wire Configuration</b>	2W	2-Wire
	3W	3-Wire
	4W	4-Wire
<b>Calibration Standard</b>	IEC	IEC 751
	DIN	DIN 43760
<b>Calibration Class</b>	A	Class A
	B	Class B
<b>Sheath 'OD'</b>	3	3 mm
	4.5	4.5 mm
	6	6 mm
	8	8 mm
	10	10 mm
	XXX	Please Specify
<b>Sheath Material</b>	S6S	SS316
	S6L	SS316L
	XXX	Please Specify
<b>Terminal Head</b>	Al	Die cast Aluminium
	S4S	SS304
	S6S	SS316
<b>No. of Cable Entries</b>	1	Single
	2	Double
<b>Cable Entry (F)</b>	15N	1/2" NPT
	20E	3/4" ET
	15M	M20 x 1.5
	15B	1/2" BSP
<b>Head Type</b>	H1	Weatherproof IP-65
	H2	Weatherproof IP-67
	H3	Flameproof, IP-67, Gr IIA, IIB
	H4	Explosionproof, IP-67, Gr IIC
	H5	ATEX
<b>Fixed Conn. MOC</b>	S4S	SS304
	S6S	SS316
<b>Connection Fitting</b>	15N	1/2" NPT
	15B	1/2" BSP
	XXX	Please Specify
<b>Element Length of "L" (mm)</b>	Pl. Specify in mm	

Ordering Example:- RTD104-1-1-3W-IEC-A-6-S6S-Al-2-15N-H2-S6S-15N-400-1(SS316)

# RTD 105 - RTD Assembly with Adjustable Connection



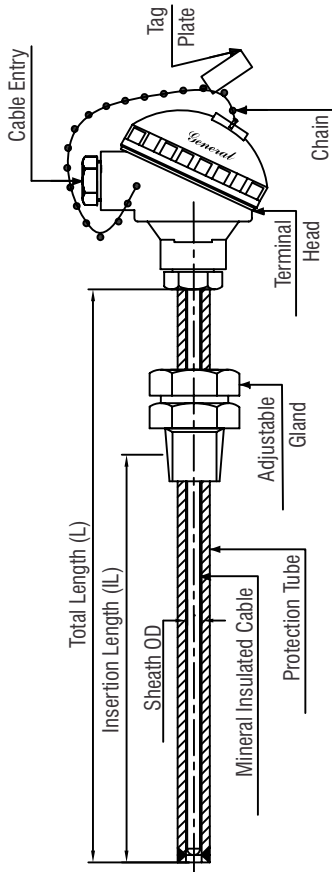
	Other Options
0	None
1	Cable Gland (Specify MOC [S4,S6,Brass])
2	Plug (Specify MOC [Al,SS304,SS316])
3	Head Mounted transmitter
4	CE Certification
5	Only Base Plate Suitable for TT
6	6 Pin / 10 Pin Connector
7	Special
8	'L' Type Mounting Bracket
9	Thermowell

**NOTE: Adjustable Gland Length - 50 mm**  
(L=IL + 50 mm Below Head)

## RTD - 105

<b>Element</b>	1	Pt. 100
	2	Pt. 1000
	XXX	Please Specify
<b>Element Type</b>	1	Simplex
	2	Duplex
<b>Wire Configuration</b>	2W	2-Wire
	3W	3-Wire
	4W	4-Wire
<b>Calibration Standard</b>	IEC	IEC 751
	DIN	DIN 43760
<b>Calibration Class</b>	A	Class A
	B	Class B
<b>Sheath 'OD'</b>	3	3 mm
	4.5	4.5 mm
	6	6 mm
	8	8 mm
	10	10 mm
	XXX	Please Specify
<b>Sheath Material</b>	S6S	SS316
	S6L	SS316L
	XXX	Please Specify
<b>Terminal Head</b>	Al	Die cast Aluminium
	S4S	SS304
	S6S	SS316
<b>No. of Cable Entries</b>	1	Single
	2	Double
<b>Cable Entry (F)</b>	15N	1/2" NPT
	20E	3/4" ET
	15M	M20 x 1.5
	15B	1/2" BSP
<b>Head Type</b>	H1	Weatherproof IP-65
	H2	Weatherproof IP-67
	H3	Flameproof, IP-67 ,Gr IIA,IIB
	H4	Explosionproof, IP-67, Gr IIC
	H5	ATEX
<b>Adj. Gland MOC</b>	S4S	SS304
	S6S	SS316
<b>Connection Fitting</b>	15N	1/2 " NPT
	15B	1/2 " BSP
	XXX	Please Specify
<b>Insertion Length of "IL" (mm)</b>		Pl. Specify in mm

# RTD 106 - RTD with Protecting Tube (Screwed Connection)



	Other Options
0	None
1	Cable Gland (Specify MOC [SS304,SS316,Brass])
2	Plug (Specify MOC [Al,SS304,SS316])
3	Head Mounted transmitter
4	CE Certification
5	Only Base Plate Suitable for TT
6	6 Pin / 10 Pin Connector
7	Special

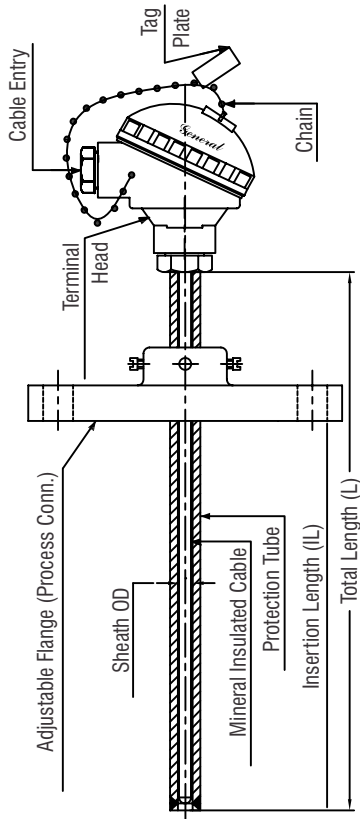
**NOTE: Adjustable Gland Length - 50 mm**  
(L=IL + 50 mm Below Head)

## RTD - 106

<b>Element</b>		1	Pt. 100	2	Pt. 1000
		XXX	Please Specify		
<b>Element Type</b>		1	Simplex	2	Duplex
<b>Wire Configuration</b>		2W	2-Wire		
		3W	3-Wire		
		4W	4-Wire		
<b>Calibration Standard</b>		IEC	IEC 751	DIN	DIN 43760
<b>Calibration Class</b>		A	Class A	B	Class B
<b>Sheath 'OD'</b>		3	3 mm	4.5	4.5 mm
		6	6 mm	8	8mm
		10	10mm		
		XXX	Please Specify		
<b>Sheath Material</b>		S6S	SS316	S6L	SS316L
		XXX	Please Specify		
<b>Terminal Head</b>		AI	Die cast Aluminum		
		S4S	SS304	S6S	SS316
<b>No. of Cable Entries</b>		1	Single	2	Double
<b>Cable Entry (F)</b>		15N	1/2" NPT	20E	3/4" ET
		15M	M20 x 1.5	15B	1/2" BSP
<b>Head Type</b>		H1	Weatherproof IP-65		
		H2	Weatherproof IP-67		
		H3	Flameproof, IP-67, Gr IIA, IIB		
		H4	Explosionproof, IP-67, Gr IIC		
		H5	ATEX		
		S4S	SS304	825	Incoloy® 825
		S6S	SS316	600	Inconel® 600
		310	SS310	800	Incoloy® 800
		446	SS446	321	SS321
		S4L	SS304L	KAN	Kanthal
		S6L	SS316L	HCC	Hastelloy® C-276
		CST	CS	HCB	Hastelloy® B
		410	SS410	MN4	Monel® 400
		S7S	SS317	MN5	Monel® 500
		S7L	SS317L	T	Ti-II
		N200	Nickel 200	XXX	Please Specify
			**Special material on Request		
		Protection Tube Standard Sizes			
<b>Protection Tube Size</b>		A	10x7	B	12x7
		C	14x7	D	14x9
		XXX	Please Specify		
<b>Adj. Gland MOC</b>		S4S	SS304		
		S6S	SS316		
<b>Connection Fitting</b>		15N	1/2" NPT		
		15B	1/2" BSP		
		XXX	Please Specify		
<b>Insertion Length of "IL" (mm)</b>			Pl. Specify in mm		

**Ordering Example:- RTD106-1-1-3W-IEC-A-6-S6S-AI-2-15N-H2-C-A-S6S-15N-400-1(SS316)**

# RTD 107 - RTD with Protecting Tube (Flanged Connection)



Other Options	
0	None
1	Cable Gland (Specify MOC [SS304,SS316,Brass])
2	Plug (Specify MOC [Al,SS304,SS316])
3	Head Mounted transmitter
4	CE Certification
5	Only Base Plate Suitable for TT
6	6 Pin / 10 Pin Connector
7	Special

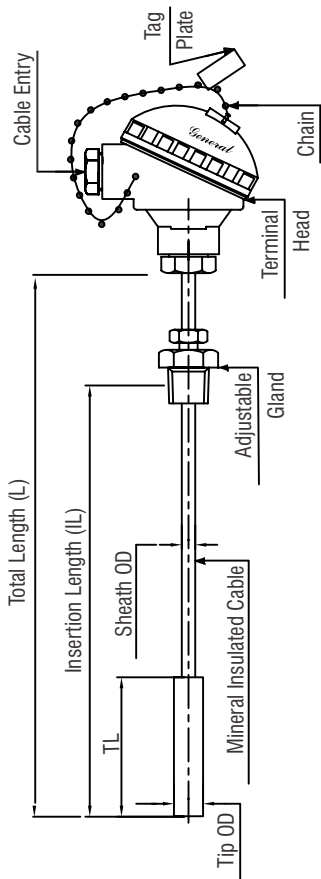
**NOTE: Adjustable Gland Length - 50 mm**  
(L=IL + 50 mm Below Head)

## RTD - 107

Element	<input type="text"/>	1	Pt. 100	2	Pt. 1000		
		XXX	Please Specify				
Element Type	<input type="text"/>	1	Simplex	2	Duplex		
Wire Configuration	<input type="text"/>	2W	2-Wire				
		3W	3-Wire				
		4W	4-Wire				
Calibration Standard	<input type="text"/>	IEC	IEC 751	DIN	DIN 43760		
Calibration Class	<input type="text"/>	A	Class A	B	Class B		
Sheath 'OD'	<input type="text"/>	3	3 mm	4.5	4.5 mm		
		6	6 mm	8	8mm		
		10	10mm				
		XXX	Please Specify				
Sheath Material	<input type="text"/>	S6S	SS316	S6L	SS316L		
		XXX	Please Specify				
Terminal Head	<input type="text"/>	AI	Die cast Aluminium				
		S4S	SS304	S6S	SS316		
No. of Cable Entries	<input type="text"/>	1	Single	2	Double		
Cable Entry (F)	<input type="text"/>	15N	1/2" NPT	20E	3/4" ET		
		15M	M20 x 1.5	15B	1/2" BSP		
Head Type	<input type="text"/>	H1	Weatherproof IP-65				
		H2	Weatherproof IP-67				
		H3	Flameproof, IP-67, Gr IIA, IIB				
		H4	Explosionproof, IP-67, Gr IIC				
		H5	ATEX				
Protection Tube Material	<input type="text"/>	S4S	SS304	825	Incoloy® 825		
		S6S	SS316	600	Inconel® 600		
		310	SS310	800	Incoloy® 800		
		446	SS446	321	SS321		
		S4L	SS304L	KAN	Kanthal		
		S6L	SS316L	HCC	Hastelloy® C-276		
		CST	CS	HCB	Hastelloy® B		
		410	SS410	MN4	Monel® 400		
		S7S	SS317	MN5	Monel® 500		
		S7L	SS317L	T	Ti-II		
	N200	Nickel 200	XXX	Please Specify			
				**Special material on Request			
Protection Tube Size	<input type="text"/>	Protection Tube Standard Sizes					
		A	10x7	B	12x7	C	14x7
		D	14x9	XXX	Please Specify		
Process Conn. Fitting	<input type="text"/>	Size	Code	Rating	Code	Facing	Code
		1/2"	15	150#	A	RF	RF
		3/4"	20	300#	B	FF	FF
		1"	25	600#	C	RTJ	RTJ
		1.5"	40	900#	D	LT	LT
		2"	50	1500#	E	LG	LG
Flange	<input type="text"/>	3"	80	2500#	F		
Insertion Length of "IL" (mm)	<input type="text"/>	CST	CS				
		S4S	SS304	S6S	SS316		
						Pl. Specify in mm	

**Ordering Example:- RTD107-1-1-3W-IEC-A-6-S6S-AI-2-15N-H2-S6S-A-15ARF-S6S-400-1(SS316)**

# RTD 108 - RTD Assembly with adjustable Conn. & Tip Assembly



	Other Options
0	None
1	Cable Gland (Specify MOC [SS304,SS316,Brass])
2	Plug (Specify MOC [Al,SS304,SS316])
3	Head Mounted transmitter
4	CE Certification
5	Only Base Plate Suitable for TT
6	6 Pin / 10 Pin Connector
7	Special
8	'L' Type Mounting Bracket

**NOTE:** Adjustable Gland Length - 50 mm  
(L=IL + 50 mm Below Head)

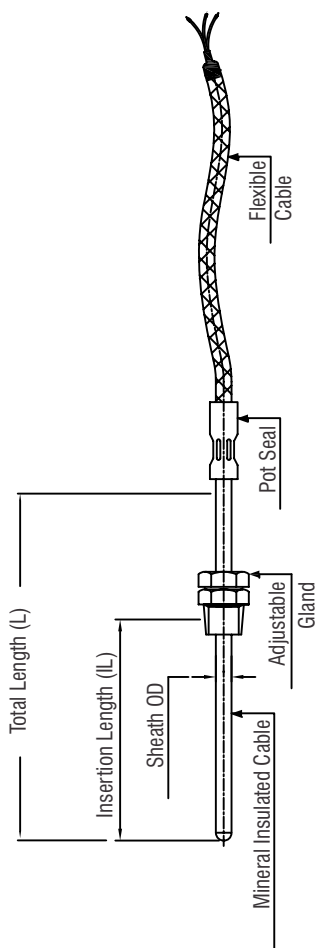
## RTD - 108

<b>Element</b>	1	Pt. 100
	2	Pt. 1000
	XXX	Please Specify
<b>Element Type</b>	1	Simplex
	2	Duplex
<b>Wire Configuration</b>	2W	2-Wire
	3W	3-Wire
	4W	4-Wire
<b>Calibration Standard</b>	IEC	IEC 751
	DIN	DIN 43760
<b>Calibration Class</b>	A	Class A
	B	Class B
<b>Sheath 'OD' (Tip 'OD')</b>	3	3 mm
	4.5	4.5 mm
	6	6 mm
	8	8 mm
	10	10 mm
	XXX	Please Specify
<b>Sheath Material</b>	S6S	SS316
	S6L	SS316L
	XXX	Please Specify
<b>Terminal Head</b>	AI	Die cast Aluminium
	S4S	SS304
	S6S	SS316
<b>No. of Cable Entries</b>	1	Single
	2	Double
<b>Cable Entry (F)</b>	15N	1/2" NPT
	20E	3/4" ET
	15M	M20 x 1.5
	15B	1/2" BSP
<b>Head Type</b>	H1	Weatherproof IP-65
	H2	Weatherproof IP-67
	H3	Flameproof, IP-67, Gr IIA,IIB
	H4	Explosionproof, IP-67, Gr IIC
	H5	ATEX
<b>Adj. Gland MOC</b>	S4S	SS304
	S6S	SS316
<b>Connection Fitting</b>	15N	1/2" NPT
	15B	1/2" BSP
	XXX	Please Specify
<b>Insertion Length of "IL" (mm)</b>		Pl. Specify in mm
<b>Tip OD &amp; Length "TL" (mm)</b>		Pl. Specify in mm

**Ordering Example:-** RTD108-1-1-3W-IEC-A-6-S6S-AI-2-15N-H2-S6S-15N-400-10-0



# RTD 201 - RTD Insert with Transition Joint



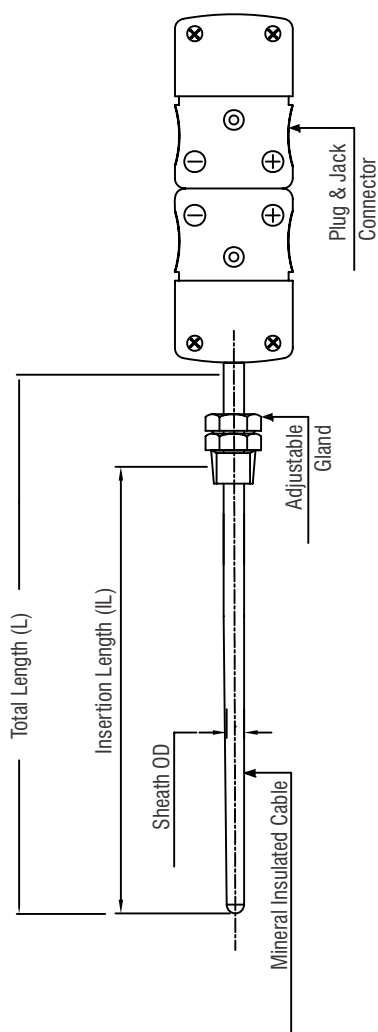
Other Options	
0	None
1	CE Certification
2	SS Conduit ( Armour )

**NOTE:** Pot Seal Length(Standard) - 40 mm  
 $L = IL + 50 \text{ mm}$

## RTD - 201

<b>Element</b>	1	Pt. 100
	2	Pt. 1000
	XXX	Please Specify
<b>Element Type</b>	1	Simplex
	2	Duplex
<b>Wire Configuration</b>	2W	2-Wire
	3W	3-Wire
	4W	4-Wire
<b>Calibration Standard</b>	IEC	IEC 751
	DIN	DIN 43760
<b>Calibration Class</b>	A	Class A
	B	Class B
<b>Sheath 'OD'</b>	3	3 mm
	4.5	4.5 mm
	6	6 mm
	8	8 mm
	10	10 mm
	XXX	Please Specify
<b>Sheath Material</b>	S6S	SS316
	S6L	SS316L
	XXX	Please Specify
<b>Adj. Gland MOC</b>	S4S	SS304
	S6S	Ss316
	XXX	Please Specify
<b>Connection Fitting</b>	15N	1/2 " NPT
	15B	1/2 " BSP
	XXX	Please Specify
<b>Insertion Length of "IL" (mm)</b>	Pl. Specify in mm	
<b>Flexible Cable Type</b>	1	PTFE insulated, PTFE overall cable
	2	PTFE Insulated, overall PTFE & SS braided cable
	3	FG/FG Insulated cable
	4	FG/FG/SS Cable
	5	PTFE / SS / FG
<b>Flexible Cable Length (mm)</b>	Pl. Specify in mm	

# RTD 202 - RTD Insert with Plug & Jack Connector



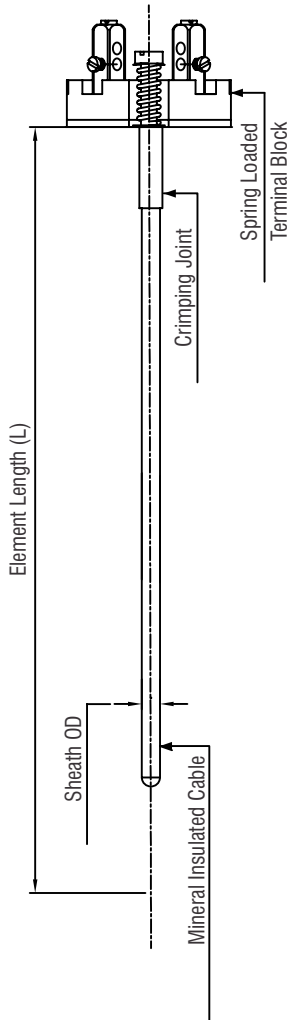
**NOTE:** Adjustable Gland Length - 50 mm  
 $L = IL + 50 \text{ mm}$

## RTD - 202

<b>Element</b>	1	Pt. 100
	2	Pt. 1000
	XXX	Please Specify
<b>Element Type</b>	1	Simplex
	2	Duplex
<b>Wire Configuration</b>	2W	2-Wire
	3W	3-Wire
	4W	4-Wire
<b>Calibration Standard</b>	IEC	IEC 751
	DIN	DIN 43760
<b>Calibration Class</b>	A	Class A
	B	Class B
<b>Sheath 'OD'</b>	3	3 mm
	4.5	4.5 mm
	6	6 mm
	8	8 mm
	10	10 mm
	XXX	Please Specify
<b>Sheath Material</b>	S6S	SS316
	S6L	SS316L
	XXX	Please Specify
<b>Adj. Gland MOC</b>	S4S	SS304
	S6S	SS316
	XXX	Please Specify
<b>Connection Fitting</b>	15N	1/2" NPT
	15B	1/2" BSP
	XXX	Please Specify
<b>Insertion Length of "IL" (mm)</b>	Pl. Specify in mm	

**Ordering Example:-** RTD202-1-2-3W-IEC-A-6-S6S-S4S-15N-500

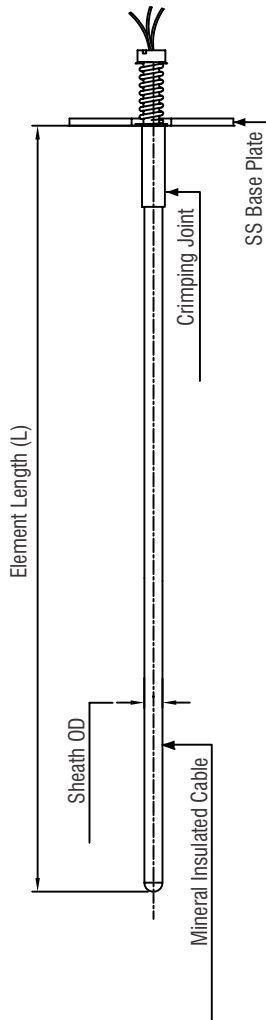
# RTD 203 - RTD Insert with Spring Loaded Terminal Block



## RTD - 203

<b>Element</b>	1	Pt. 100
	2	Pt. 1000
	XXX	Please Specify
<b>Element Type</b>	1	Simplex
	2	Duplex
<b>Wire Configuration</b>	2W	2-Wire
	3W	3-Wire
	4W	4-Wire
<b>Calibration Standard</b>	IEC	IEC 751
	DIN	DIN 43760
<b>Calibration Class</b>	A	Class A
	B	Class B
<b>Sheath 'OD'</b>	3	3 mm
	4.5	4.5 mm
	6	6 mm
	8	8 mm
	10	10 mm
	XXX	Please Specify
<b>Sheath Material</b>	S6S	SS316
	S6L	SS316L
	XXX	Please Specify
<b>Element Length of "L" (mm)</b>	Pl. Specify in mm	

# RTD 204 - RTD Insert with SS Base Plate for Temperature Transmitter Mounting

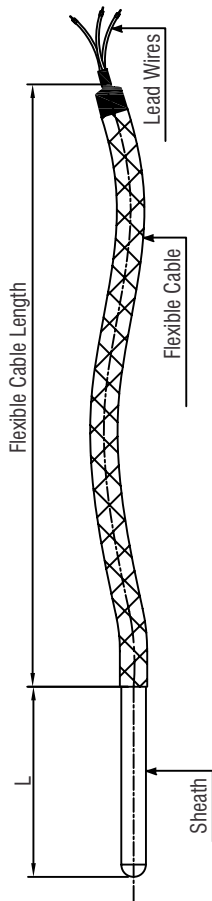


## RTD - 204

<b>Element</b>	1	Pt. 100
	2	Pt. 1000
	XXX	Please Specify
<b>Element Type</b>	1	Simplex
	2	Duplex
<b>Wire Configuration</b>	2W	2-Wire
	3W	3-Wire
	4W	4-Wire
<b>Calibration Standard</b>	IEC	IEC 751
	DIN	DIN 43760
<b>Calibration Class</b>	A	Class A
	B	Class B
<b>Sheath 'OD'</b>	3	3 mm
	4.5	4.5 mm
	6	6 mm
	8	8 mm
	10	10 mm
	XXX	Please Specify
<b>Sheath Material</b>	S6S	SS316
	S6L	SS316L
	XXX	Please Specify
<b>Element Length of "L" (mm)</b>	Pl. Specify in mm	

Ordering Example:- RTD204-1-2-3W-IEC-A-6-S6S-500

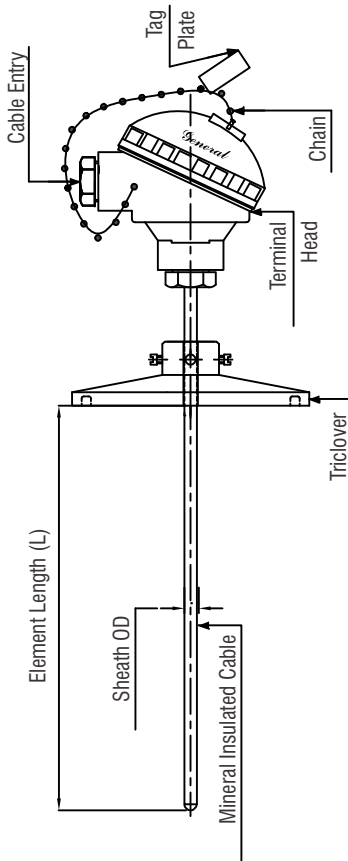
# RTD 205 - Bearing Temperature RTD



## RTD - 205

<b>Element</b>	<b>1</b>	Pt. 100
	<b>2</b>	Pt. 1000
	<b>XXX</b>	Please Specify
<b>Element Type</b>	<b>1</b>	Simplex
	<b>2</b>	Duplex
<b>Wire Configuration</b>	<b>2W</b>	2-Wire
	<b>3W</b>	3-Wire
	<b>4W</b>	4-Wire
<b>Calibration Standard</b>	<b>IEC</b>	IEC 751
	<b>DIN</b>	DIN 43760
<b>Calibration Class</b>	<b>A</b>	Class A
	<b>B</b>	Class B
<b>Sheath 'OD'</b>	<b>3</b>	3 mm
	<b>4.5</b>	4.5 mm
	<b>6</b>	6 mm
	<b>8</b>	8 mm
	<b>10</b>	10 mm
	<b>XXX</b>	Please Specify
<b>Sheath Material</b>	<b>S6S</b>	SS316
	<b>S6L</b>	SS316L
	<b>XXX</b>	Please Specify
<b>Element Length of "L" (mm)</b>	Pl. Specify in mm	
<b>Flexible Cable Type</b>	<b>1</b>	PTFE insulated, PTFE overall cable
	<b>2</b>	PTFE Insulated, overall PTFE & SS braided cable
	<b>3</b>	FG/FG Insulated cable
	<b>4</b>	FG/FG/SS Cable
	<b>5</b>	PTFE / SS / FG
<b>Flexible Cable Length (mm)</b>	Pl. Specify in mm	

# RTD 302 - RTD Assembly with Tri-clamp Connection



	Other Options
0	None
1	Cable Gland (Specify MOC [SS304,SS316,Brass])
2	Plug (Specify MOC [Al,SS304,SS316])
3	Head Mounted transmitter
4	CE Certification

## RTD - 302

<b>Element</b>	1	Pt. 100
	2	Pt. 1000
	XXX	Please Specify
<b>Element Type</b>	1	Simplex
	2	Duplex
<b>Wire Configuration</b>	2W	2-Wire
	3W	3-Wire
	4W	4-Wire
<b>Calibration Standard</b>	IEC	IEC 751
	DIN	DIN 43760
<b>Calibration Class</b>	A	Class A
	B	Class B
<b>Sheath 'OD' (Tip 'OD')</b>	3	3 mm
	4.5	4.5 mm
	6	6 mm
	8	8 mm
	10	10 mm
	XXX	Please Specify
<b>Sheath Material</b>	S6S	SS316
	321	SS321
	446	SS446
	600	Incoloy 600
	800	Incoloy 800
	XXX	Please Specify
<b>Terminal Head</b>	AI	Die cast Aluminium
	S4S	SS304
	S6S	SS316
<b>No. of Cable Entries</b>	1	Single
	2	Double
<b>Cable Entry (F)</b>	15N	1/2" NPT
	20E	3/4" ET
	15M	M20 x 1.5
	15B	1/2" BSP
<b>Head Type</b>	H1	Weatherproof IP-65
	H2	Weatherproof IP-67
	H3	Flameproof, IP-67, Gr IIA, IIB
	H4	Explosionproof, IP-67, Gr IIC
	H5	ATEX
<b>Connection Fitting TC (Triclover/Triclamp)</b>	15TC	1/2 " NPT
	20TC	3/4 " BSP
	25TC	1"
	40TC	1.1/2"
	XXX	Please Specify
<b>Nominal Length of "L" (mm)</b>	Pl. Specify in mm	

Ordering Example:- RTD302-1-1-3W-IEC-A-6-S6S-AI-1-15N-H1-25TC-200-0