

## Needle Valves Screwed Bonnet Design Double Ferrule Tube Ends

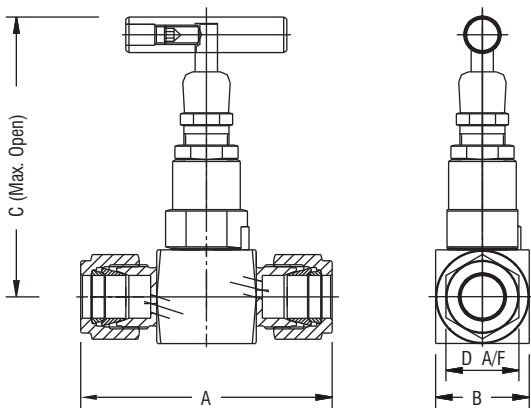
*General*

### Model No. NVT

Designed for use with tubes through built in Double ferrule compression fittings for throttling purpose and straight shut off of liquids, gas or vapour service. These needle valves are available with a variety of end connections and stem packing.



### Description



<b>Test Pressure</b>	@ 25°C Room Temperature Hydrostatic : Body - 415 bar Seat - 415 bar Pneumatic : Seat - 7 bar
<b>Gland Packing</b>	PTFE : Standard Graphoil : Temperatures above 200°C
<b>Material</b>	A105, A 479 304, A 479 316, A182 GR F 316, Monel, Hastelloy, Duplex
<b>Finish</b>	CS zinc plated, SS Natural

#### Connections

TUBE OD	A	B	C	D A/F	PART No.
1/4" / 6mm	65	25	90	14	G4 NV-T/NV-T-6
5/16" / 8mm	65	25	90	16	G5 NV-T/NV-T-8
3/8" / 10mm	65	25	90	17	G6 NV-T/NV-T-10
1/2" / 12mm	70	28	92	22	G8 NV-T/NV-T-12
3/4" / 20mm	80	30	92	28.5	G12 NV-T/NV-T-20

**Note:** Bigger tube connections up to 1 1/2" 25 mm OD size available on request.

**Note:** Drawings, Dimensions and other information are subject to change without notice, as a part of our continues research and development.

## Needle Valves Integral Bonnet Double Ferrule Ends

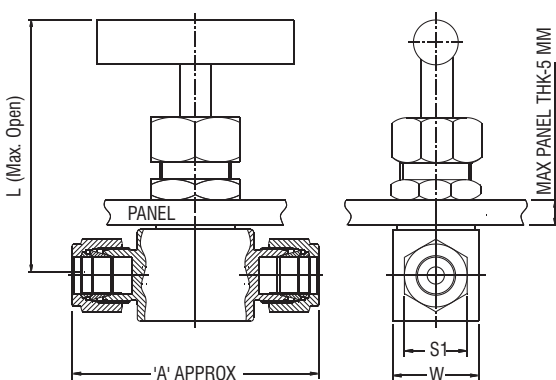
*General*

### Model No. NV-T-IB

A compact needle valve especially designed for direct use with tubes through built-in double ferrule compression fittings for panel mounting. Ideal for stainless steel, copper monel tubes. These needle valves are available with a variety of end connections and stem packing.



### Description



<b>Test Pressure</b>	@ 25°C Room Temperature Hydrostatic : Body - 415 bar(g) Seat - 415 bar(g) Pneumatic : Seat - 7 bar(g)
<b>Gland Packing</b>	PTFE : Standard Graphoil : Temperatures above 200°C
<b>Material</b>	A105, A 479 304, A 479 316, A182 GR F 316, Monel, Hastelloy, Duplex
<b>Finish</b>	CS zinc plated. SS Natural

#### Connections

SIZE	A	W	S1	L	PART No.
1/8" O.D.	59	22	11	68	G2 NV - T - IB
1/4" O.D.	59	22	14	68	G4 NV - T - IB-P
3/8" O.D.	65	24	17	72	G6 NV - T - IB-P
1/2" O.D.	65	28	22	75	G8 NV - T - IB-P
3/4" O.D.	123	32	28.5	120	G12 NV - T - IB-P
1" O.D.	128	38	38.1	120	G16 NV - T - IB-P

**Note:** Drawings, Dimensions and other information are subject to change without notice, as a part of our continues research and development.

## Needle Valves Screwed Bonnet Design Female Ends

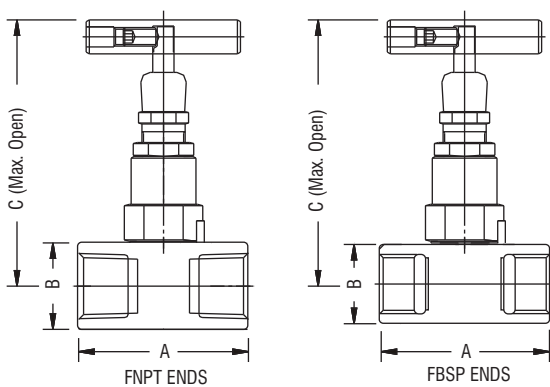
*General*

### Model No. NV M/F

Designed for use in purpose applications for throttling and straight shut off of liquids, gas or vapour service. These needle valves are available with a variety of end connections and stem packing.



## Description



<b>Test Pressure</b>	@ 25°C Room Temperature Hydrostatic : Body - 415 bar(g) Seat - 415 bar(g) Pneumatic : Seat - 7 bar(g)
<b>Gland Packing</b>	PTFE : Standard Graphoil : Temperatures above 200°C
<b>Material</b>	A105, A 479 304, A 479 316, A182 GR F 316, Monel, Hastelloy, Duplex
<b>Finish</b>	CS zinc plated. SS Natural

### Connections

SIZE	A	B	C	Part No.	Size	A	B	C	PART No.
1/4" FNPT	56	25	89	G4 FNVN	1/4"BSP	56	25	90	G4 FNVR
3/8" FNPT	56	25	89	G6 FNVN	3/8"BSP	56	25	90	G6 FNVR
1/2" FNPT	65	28	90	G8 FNVN	1/2"BSP	65	28	92	G8 FNVR
3/4" FNPT	65	36	110	G12 FNVN	3/4"BSP	65	36	92	G12 FNVR
1" FNPT	80	42	113	G16 FNVN	1"BSP	80	42	100	G16 FNVR

**Note:** Drawings, Dimensions and other information are subject to change without notice, as a part of our continues research and development.

## Needle Valves Screwed Bonnet Design Male x Female Ends

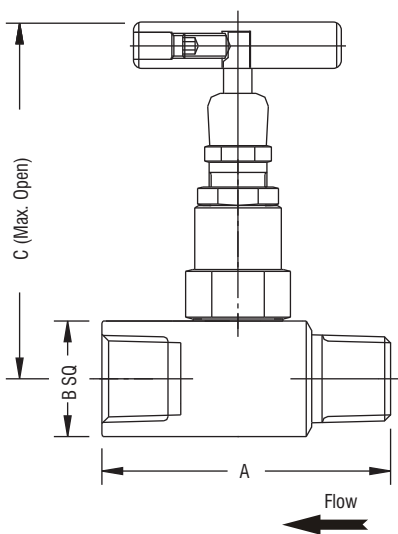
*General*

### Model No. M/F NV

Designed for use in applications for throttling purpose and straight shut off of liquids, gas or vapour service. These needle valves are available with a variety of end connections and stem packing.



### Description



<b>Test Pressure</b>	@ 25°C Room Temperature Hydrostatic : Body - 415 bar(g) Seat - 415 bar(g) Pneumatic : Seat - 7 bar(g)
<b>Gland Packing</b>	PTFE : Standard Graphoil : Temperatures above 200°C
<b>Material</b>	A105, A 479 304, A 479 316, A182 GR F 316, Monel, Hastelloy, Duplex
<b>Finish</b>	CS zinc plated. SS Natural

#### Connections

(INLET x OUTLET)	A	B	C	PART No.
1/4" MNPT x 1/4" FNPT	55	25	90	G4 M/FNVN
1/4" MBSP x 1/4" FBSP	55	25	90	G4 M/FNVR
1/2" MNPT x 1/4" FNPT	63	28	92	G8-4 M/FNVN
1/2" MNPT x 1/2" FNPT	65	28	92	G8 M/FNVN
1/2" MBSP x 1/2" FBSP	65	28	92	G8 M/FNVR
3/4" MNPT x 1/2" FNPT	65	36	110	G12-8 M/FNVN
3/4" MBSP x 1/2" FBSP	65	36	110	G12-8 M/FNVR
3/4" MNPT x 3/4" FNPT	65	36	95	G12 M/FNVN
3/4" MBSP x 3/4" FBSP	65	36	95	G12 M/FNVR
1" MNPT x 1" FNPT	80	42	100	G16 M/FNVN
1" MBSP x 1" FBSP	80	42	100	G16 M/FNVR

**Note:** Drawings, Dimensions and other information are subject to change without notice, as a part of our continues research and development.

## Needle Valves Integral Bonnet Screwed Ends

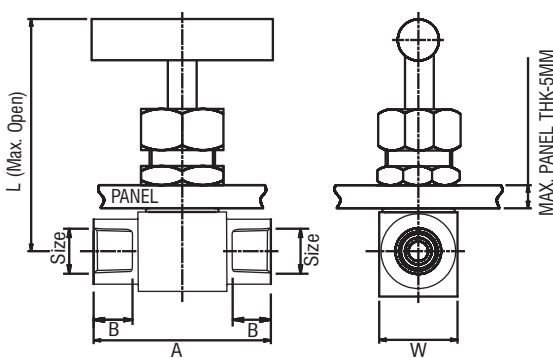
*General*

### Model No. FNVN-IB

A compact needle type valve for isolation of lines, sampling, throttling & similar applications. The valve has screwed ends to be used with pipes & tubes for panel mounting. These needle valves are available with a variety of end connections and stem packing.



### Description



<b>Test Pressure</b>	@ 25°C Room Temperature Hydrostatic : Body - 415 bar(g) Seat - 415 bar(g) Pneumatic : Seat - 7 bar(g)
<b>Gland Packing</b>	PTFE : Standard Graphoil : Temperatures above 200°C
<b>Material</b>	A105, A 479 304, A 479 316, A182 GR F 316, Monel, Hastelloy, Duplex
<b>Finish</b>	CS zinc plated. SS Natural

#### Connections

SIZE	A	B	W	L	PART No.
1/8" FNPT	50	11	22	65	G2 FNVN-IB
1/4" FNPT	50	14	22	65	G4 FNVN-IB-P
3/8" FNPT	50	14	24	53	G6 FNVN-IB-P
1/2" FNPT	65	19	28	88	G8 FNVN-IB-P
3/4" FNPT	65	19	36	88	G12 FNVN-IB-P
1" FNPT	84	25	45	102	G16 FNVN-IB-P

**Note:** Also available with BSP and BSP taper threads.

**Note:** Drawings, Dimensions and other information are subject to change without notice, as a part of our continues research and development.

## Angle Needle Valves Screwed Bonnet Design

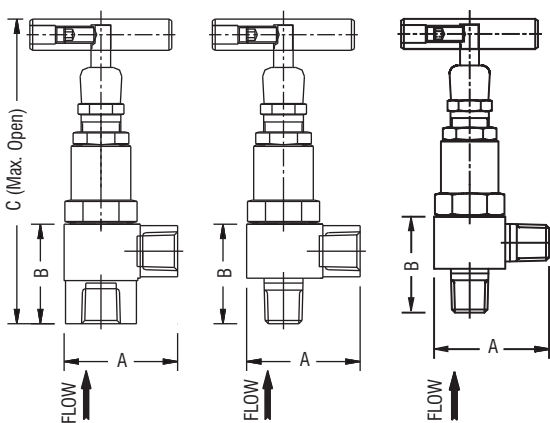
*General*

### Model No. ANVN

Designed for use in applications for throttling purpose and straight shut off of liquids, gas or vapour service. These needle valves are available with a variety of end connections and stem packing.



### Description



<b>Test Pressure</b>	@ 25°C Room Temperature Hydrostatic : Body - 415 bar(g) Seat - 415 bar(g) Pneumatic : Seat - 7 bar(g)
<b>Gland Packing</b>	PTFE : Standard Graphoil : Temperatures above 200°C
<b>Material</b>	A105, A 479 304, A 479 316, A182 GR F 316, Monel, Hastelloy, Duplex
<b>Finish</b>	CS zinc plated. SS Natural

#### Connections

(INLET x OUTLET)	A	B	C	PART No.
1/4" MNPT x 1/4" MNPT	45	39	116	G4 AMNVN
1/4" FNPT x 1/4" FNPT	45	39	115	G4 AFNVN
1/4" MNPT x 1/4" FNPT	45	39	115	G4 AM/FNVN
3/8" MNPT x 3/8" MNPT	45	39	116	G6 AMNVN
3/8" FNPT x 3/8" FNPT	45	39	115	G6 AFNVN
3/8" MNPT x 3/8" FNPT	45	39	115	G6 M/FNVN
1/2" MNPT x 1/2" MNPT	50	50	126	G8 AMNVN
1/2" FNPT x 1/2" FNPT	50	50	128	G8 AFNVN
1/2" MNPT x 1/2" FNPT	50	50	128	G8 AM/FNVN

**Note:** Also available with BSP and BSP taper thread connections bigger pipe connections on request.

**Note:** Drawings, Dimensions and other information are subject to change without notice, as a part of our continues research and development.