

# Multi - Port Gauge Valves

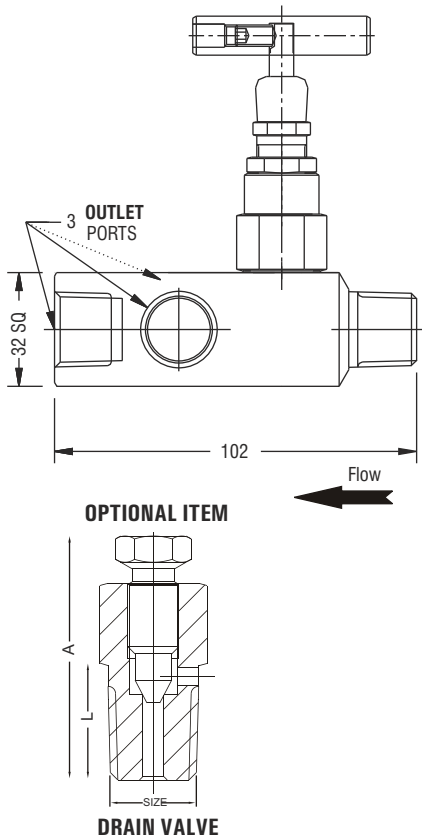


## Model No. MPV

Multiport gauge valve is designed for giving the user flexibility in positioning of gauges or pressure switches. These valve can be supplied with vent valve and blanking plug separately.



## Description



|                      |  |
|----------------------|--|
| <b>Test Pressure</b> | @ 25°C Room Temperature<br>Hydrostatic : Body - 415 bar(g)<br>Seat - 415 bar(g)<br>Pneumatic : Seat - 7 bar(g) |
| <b>Gland Packing</b> | PTFE : Standard<br>Graphoil : Temperatures above 200°C   |
| <b>Material</b>      | A105, A 479 304, A 479 316,<br>A182 GR F 316, Monel, Hastelloy, Duplex   |
| <b>Finish</b>        | CS zinc plated. SS Natural   |

| <b>Connections</b>  |  | <b>PART No.</b> |
|---------------------|--|-----------------|
| (INLET x OUTLET)    |  |                 |
| 1/2"MNPT x 1/2"FNPT |  | G8 MPV M/FN     |
| 1/2"FNPT x 1/2"FNPT |  | G8 MPV FN       |
| 3/4"MNPT x 1/2"FNPT |  | G12-8 MPV M/FN  |

**Note:** Also available with BSP and BSP taper threads.

### DRAIN VALVE

A compact miniature drain valve to be used with multiport valves and transmitters for draining or venting of instruments.

| <b>SIZE</b> | <b>A</b> | <b>L</b> | <b>PART No.</b> |
|-------------|----------|----------|-----------------|
| 1/4"NPT     | 37.3     | 14.3     | G4DVN           |
| 3/8"NPT     | 37.3     | 14.3     | G6DVN           |
| 1/2"NPT     | 42.1     | 19.1     | G8DVN           |
| 3/4"NPT     | 42.1     | 19.1     | G12DVN          |

**Note:** Drawings, Dimensions and other information are subject to change without notice, as a part of our continues research and development.