

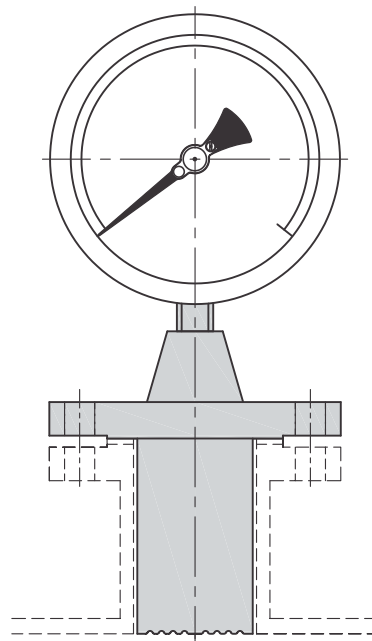
## Extended Diaphragm Seal

*General*

**MODEL : CSU-EDS**

### Features

Extended Diaphragm Seal is mounted on the Nozzle Flange of the Process Pipe line. The diaphragm is extended to the process media through the Nozzle. The length and diameter of the extension is decided as per the process requirement and nozzle diameter. The diaphragm is directly extended through the Nozzle and preventing clogging or other obstructions in the connection nozzle. Extended Diaphragm Seals are Suitable for corrosive, highly viscous, crystallizing or hot pressure media.



### Optional Feature

- **Cooling Tower**
- **Capillary** for Remote mounting of the Pressure Instrument
- **Stud / Nut & Gasket** for assembling the Diaphragm Seal with Process Flange.

**Note:** This catalogue indicates the general specifications used for most of the process applications. Any other specification not appearing here also can be provided as per customer requirement.

# Ordering Information

## EXTENDED DIAPHRAGM SEAL (Flanged Connection)

MODEL: CSU- [ ] [ ] [ ] [ ] [ ] [ ] [ ]

**CONNECTION TYPE**  
EDS Extended Diaphragm Seal

**FLANGE**  
**S6S** SS 316    **HCB** Hastelloy B  
**S6L** SS 316L    **HCC** Hastelloy C  
**321** SS 321    **N20** Nickel 200  
**TTM** Titanium    **MN4** Monel 400  
**N20** Nickel 200    **XXX** Other (Please Specify)

**DIAPHRAGM**  
**S6S** SS 316    **HCB** Hastelloy B  
**S6L** SS 316L    **HCC** Hastelloy C  
**321** SS 321    **N20** Nickel 200  
**TTM** Titanium    **MN4** Monel 400  
**N20** Nickel 200    **XXX** Other (Please Specify)

**EXTENSION UNIT**  
**S6S** SS 316    **HCB** Hastelloy B  
**S6L** SS 316L    **HCC** Hastelloy C  
**321** SS 321    **N20** Nickel 200  
**TTM** Titanium    **MN4** Monel 400  
**N20** Nickel 200    **XXX** Other (Please Specify)

**OPTION**  
**4AR(\*)** SS 316 Capillary, SS 304 Armoured  
**4PV(\*)** SS 316 Capillary, SS 304 Armoured+PVC Covered  
**6AR(\*)** SS 316 Capillary, SS 316 Armoured  
**6PV(\*)** SS 316 Capillary, SS 316 Armoured+PVC Covered  
**CLT** Cooling Tower  
**GSK** Gasket  
**STN** Stud & Nuts  
**L** Nil  
**XXX** Other (Please specify)

\* Specify the length of Capillary in Meters.

**FILLING FLUID**  
**DC1** DC-710  
**DC2** Silicone Oil (DC-200)  
**DC4** DC-704  
**DC5** DC-705  
**FLU** Fluorolube  
**GLY** Glycerine  
**HLC** Halocarbon  
**VGO** Food grade oil  
**XXX** Other (Please specify)

PROCESS CONNECTION							
FLANGED							
CONN	CODE	SIZE	CODE	RATING	CODE	FACING	CODE
Flange	F	1-1/2"	40	150	A	RF	RF
		2"	50	300	B	FF	FF
		3"	80	600	C	RTJ	RJ
		4"	10	900	D		
				1500	E		
				2500	F		

e.g. For 100 NB 150# RF flange, Model Code: **F10ARF**

Sample model Code: CSU-EDS-S6S-S6S-S6S-F80ARF-DC2-L