

Needle Valves Screwed Bonnet Design Double Ferrule Tube Ends

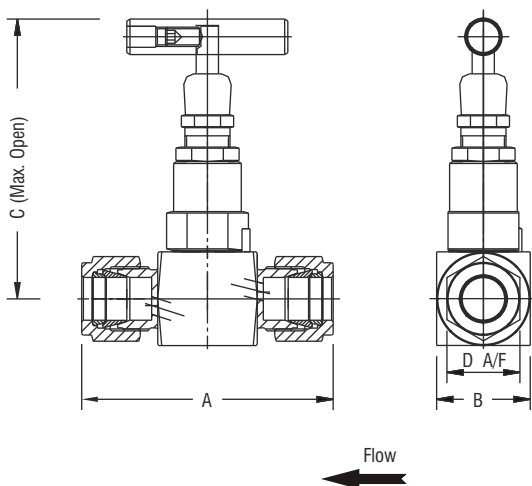


Model No. NVT

Designed for use with tubes through built in Double ferrule compression fittings for throttling purpose and straight shut off of liquids, gas or vapour service. These needle valves are available with a variety of end connections and stem packing.



Description



Test Pressure	@ 25°C Room Temperature Hydrostatic : Body - 415 bar Seat - 415 bar Pneumatic : Seat - 7 bar
Gland Packing	PTFE : Standard Graphoil : Temperatures above 200°C
Material	A105, A 479 304, A 479 316, A182 GR F 316, Monel, Hastelloy, Duplex
Finish	CS zinc plated, SS Natural

Connections

TUBE OD	A	B	C	D A/F	PART No.
1/4" / 6mm	65	25	90	14	G4 NV-T/NV-T-6
5/16" / 8mm	65	25	90	16	G5 NV-T/NV-T-8
3/8" / 10mm	65	25	90	17	G6 NV-T/NV-T-10
1/2" / 12mm	70	28	92	22	G8 NV-T/NV-T-12
3/4" / 20 mm	80	30	92	28.5	G12 NV-T/NV-T-20

Note: Bigger tube connections up to 1 1/2" 25 mm OD size available on request.

Note: Drawings, Dimensions and other information are subject to change without notice, as a part of our continues research and development.