

# Two Valve (Three-way) Manifold for Pressure Instruments

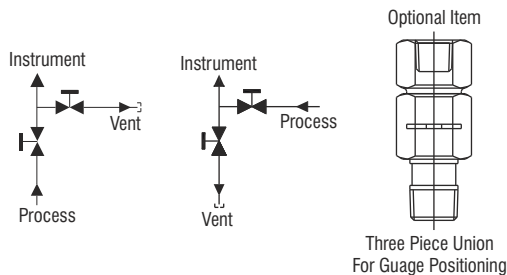
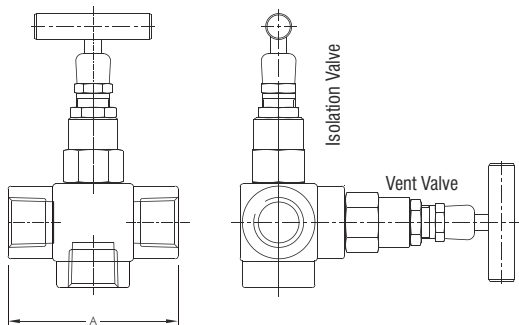


## Model No. G2 VM1

Two valve manifold is designed in a single block with female screwed inlet and outlet ports combining isolation valve and calibration / vent valve. Generally used on static pressure transmitters, switches and gauges.



## Description



<b>Test Pressure</b>	@ 25°C Room Temperature Hydrostatic : Body - 415 bar(g) Seat - 415 bar(g) Pneumatic : Seat - 7 bar(g)
<b>Gland Packing</b>	PTFE : Standard Graphoil : Temperatures above 200°C
<b>Material</b>	A105, A 479 304, A 479 316, A182 GR F 316, Monel, Hastelloy, Duplex
<b>Finish Option</b>	CS zinc plated. SS Natural Drain Plug. Three piece union for gauge positioning

PROCESS PORT	GAUGE PORT	DRAIN PORT	A
1/2" NPT(F)	1/2" NPT(F)	1/4" NPT(F)	65
1/2" NPT(F)	1/2" NPT(F)	1/2" NPT(F)	65
3/4" NPT(F)	3/4" NPT(F)	3/4" NPT(F)	65
1/2" BSP(F)	1/2" BSP(F)	1/2" BSP(F)	65
1/2" NBSW	1/2" NPT(F)	1/2" NPT(F)	65
3/4" NBSW	1/2" NPT(F)	1/2" NPT(F)	65

### Angle Type II

GAUGE INLINE WITH DRAIN/VENT AND PROCESS AT RIGHT ANGLE			
1/2" BSP(F)	1/2" NPT(F)	1/2" NPT(F)	65
3/4" NPT(F)	3/4" NPT(F)	3/4" NPT(F)	65
1/2" NBSW	1/2" NPT(F)	1/2" NPT(F)	65
3/4" NBSW	1/2" NPT(F)	1/2" NPT(F)	65

**Note:** Drawings, Dimensions and other information are subject to change without notice, as a part of our continues research and development.